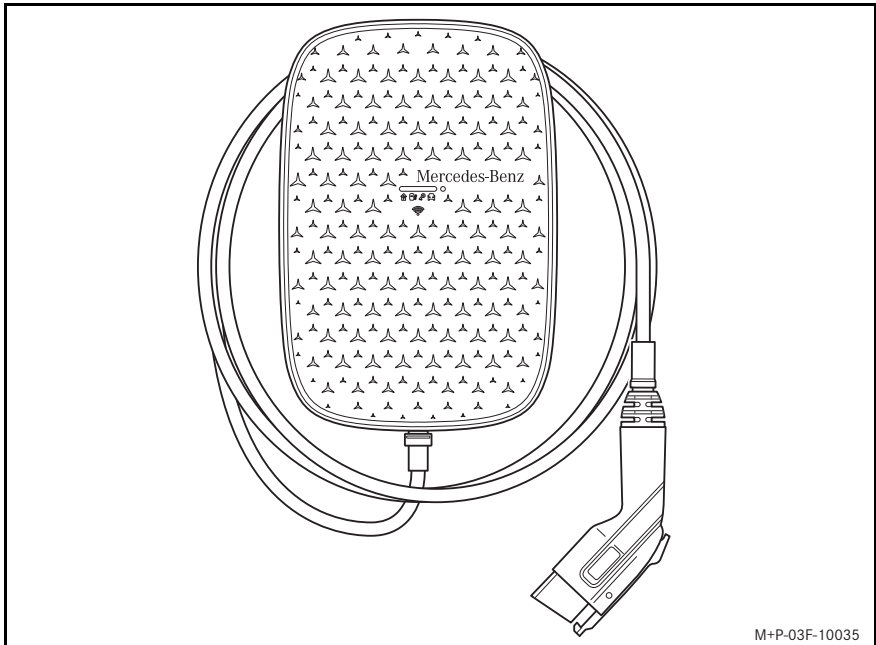




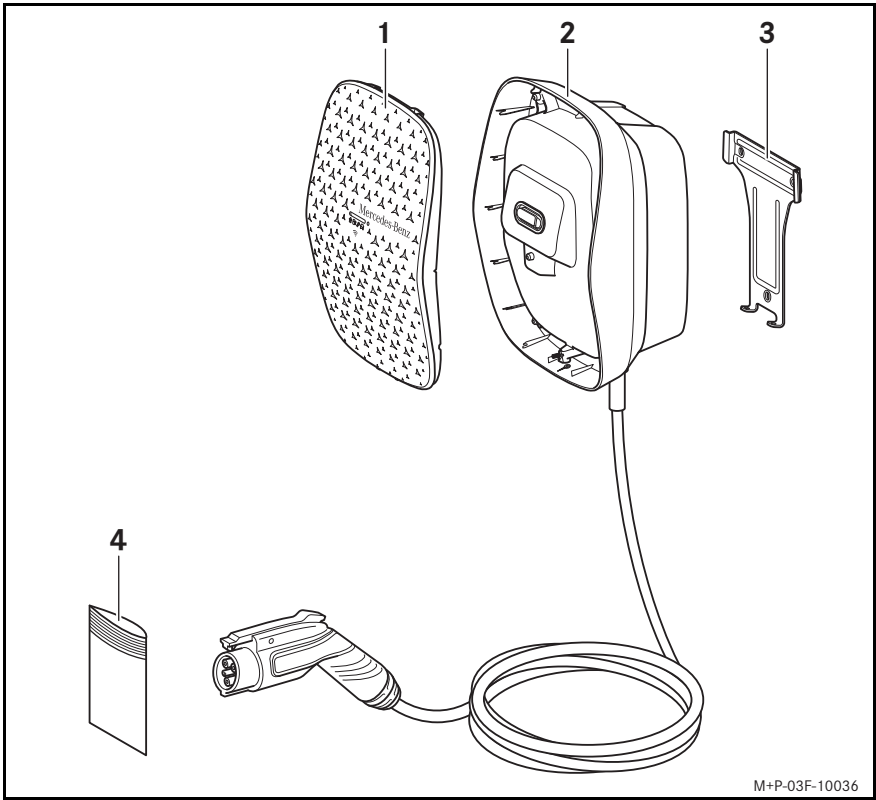
Mercedes-Benz

Installation Instructions for the Mercedes-Benz Wallbox
Instructions d'installation de la boîte murale
Instrucciones de instalación de la wallbox



M+P-03F-10035

USA	Installation Instructions for the Mercedes-Benz Wallbox	Page	1
CAN	Instructions d'installation de la boîte murale	Page	10
MEX	Instrucciones de instalación de la wallbox	Página	18



M+P-03F-10036

© 2023, Mercedes-Benz AG

Mercedesstr. 120, 70372 Stuttgart, Germany

Reprinting, translating and reproduction, in whole or in part, are not permitted without our prior written consent.

2023/12
03F016-23



Welcome

Read these Installation Instructions carefully before you install the device.

When installing the device observe the laws and local regulations applicable in the country in which the device is to be installed.

Mercedes-Benz continuously develops its products further and therefore reserves the right to introduce changes to the following:

- Design
- Equipment
- Technical features

Scope of delivery

Country-specific deviations are possible.

1 Cover

2 Wallbox with a permanently installed charging cable

3 Wall bracket

4 Installation kit

- 3 x wallplugs, 8 x 65 mm
- 3 x T20 screws, 6 x 70 mm
- 3 x washers
- 2 x T20 TR screws, 4 x 12 mm
- 1 x T20 TR bit

IMPORTANT SAFETY INSTRUCTIONS SAVE THESE INSTRUCTIONS.



WARNING

When using electric products, basic precautions should always be followed, including the following:

INSTRUCTIONS PERTAINING TO RISK OF FIRE OR ELECTRIC SHOCK.



DANGER – RISK OF FATAL INJURY WHILE WORKING ON THE WALLBOX

If the wallbox is installed, maintained, repaired or disassembled by persons without suitable qualifications, this may result in fire or an electric shock, for example.

Only have this work carried out by a qualified electrician.



DANGER – NOT FOLLOWING THE INSTALLATION AND USER INSTRUCTIONS GIVEN IN THIS MANUAL WILL RESULT IN THE RISK OF ELECTRIC SHOCK, WHICH WILL CAUSE SEVERE INJURY OR DEATH

Read this manual before installing or using the charging station.

Adult supervision is required when children can access a charging station that is in use.

Do not put fingers into the electric vehicle connector.

Do not operate the charging station if the power supply, the enclosure or an EV connector is broken, cracked, open, or shows any other indication of damage.

Do not operate the charging station if a charging cable is frayed, has broken insulation, or shows any other indication of damage.

If you are unsure about how to install or use the charging station after reading this manual, contact your reseller for more information.



DANGER – INSTALLING THE CHARGING STATION IN A COMMERCIAL GARAGE THAT IS USED FOR THE REPAIR OF INTERNAL COMBUSTION ENGINE VEHICLES WILL RESULT IN THE RISK OF EXPLOSION, WHICH WILL CAUSE SEVERE INJURY OR DEATH

Not for use in commercial garages where a COMMERCIAL GARAGE is defined as a facility, or portion of a facility, used for the repair of internal combustion engine vehicles, in which the area may be classified due to vapors of flammable liquids (gasoline) being present.



DANGER – WORKING ON ELECTRIC INSTALLATIONS WITHOUT PROPER PRECAUTIONS WILL RESULT IN THE RISK OF ELECTRIC SHOCK, WHICH WILL CAUSE SEVERE INJURY OR DEATH.

Switch off the input power before installing the charging station.

Do not switch on the charging station if it is not fully installed or not secure.

Do not install a charging station that is faulty or has a noticeable issue.

**WARNING**

This product can expose you to chemicals including Bisphenol-A (BPA), which are known to the State of California to cause birth defects or other reproductive harm. For more information go to www.p65warnings.ca.gov.

**CAUTION**

This product must be connected to a grounded, metal, permanent wiring system, or an equipment-grounding conductor must be run with the circuit conductors and connected to the equipment grounding terminal on the product.

**CAUTION**

To reduce the risk of fire, connect only to a circuit provided with 60 amperes maximum branch circuit overcurrent protection in accordance with the ANSI/NFPA 70 National Electrical Code and/or CSA C22.1 - 15 Canadian Electrical Code, Part 1 and/or NOM-001-SEDE Electrical installations (utility).

**CAUTION**

Individual electric utilities and other providers of physical electricity distribution service may impose registration or connection requirements applicable to the charging station. The user or the electrician should contact the local utility or provider of electricity distribution service to confirm that the existing infrastructure is adequate to accommodate installation of the charging station and to confirm the existence of any registration, connection, or other requirements.

**CAUTION**

Use 4 AWG copper field wiring rated at 75 °C (167 °F) only.

Technical specification

Electrical properties	
Maximum charge rate	Up to 11.5 kW (240 V split-phase, 48 A) Note: Derating may occur. The charge rate depends on factors such as the demand from the EV, the available power supply, and the ambient temperature.
Charging mode	Level 2 (SAE J1772) / Mode 3 EVSE (IEC 61851)
Fixed charging cable	Type 1 plug (SAE J1772)
Fixed charging cable length	7 m (23 ft)
Input capacity	240 V, 60 Hz, split-phase, 48 A
Conduit fitting diameter	¾ in
Power cable wire gauge (for push-in terminal blocks)	Solid wire: 16 mm ² (4 AWG) copper field wiring rated at 75 °C (167 °F) Stranded wire with ferrule (without plastic sleeve): maximum 16 mm ² terminal blocks) (4 AWG)
Environment and safety class	
Operating temperature range	-30 °C to +50 °C (-22 °F to +122 °F)
Storage temperature range	-40 °C to +80 °C (-40 °F to +176 °F)
Feature	
Humidity (non-condensing)	5 % to 95 %
Maximum installation altitude	3000 m (9843 ft) above sea level
Enclosure rating	UL50E rating 4X
Electrical safety	UL listed - file number E48 1618
Surge protection	6000 V
Safety class	Safety Class I and overvoltage Category III

Electromagnetic compatibility (EMC)	FCC Part 15 Class B, and ICES-003 Class B compliance
Connectivity	
Authorization	RFID reader, or using an app
Wi-Fi	2.4 and 5 GHz
Local area network	Ethernet
Communication protocol	OCPP 2.0.1 J
Authentication	OCPP 2.0.1 Profile 3 (TLS)
Encryption	Dedicated TPM (Trusted Platform Module) private key storage
Compliance	ISO 27001, ISO 27002, OWASP IoT Project
Supported protocols	OpenSSL, embedTLS, HTTPS, SFTP/FTPS, SSH
Physical properties	
Dimensions (W x H x D)	250 x 366 x 184 mm (9.84 x 14.41 x 7.24 in)
Weight	Approximately 7.3 kg (16.1 lb)
Certification and compliance	
Power supply input	EV supply equipment permanently connected to AC supply network
Power supply output	AC EV supply equipment
Normal environmental conditions	Indoor and outdoor use
Access	Equipment for locations with non-restricted access
Equipment type	Stationary equipment that is wall-mounted

Moving and storage precautions

Obey the following guidelines when moving and storing the charging station:

- Never lift the charging station using its charging cable.
- Disconnect input power before removing the charging station for storage or relocation.
- Only transport and store the charging station in its original packaging. No liability can be accepted for damage incurred when the product is transported in non-standard packaging.
- Store the charging station in a dry environment in the temperature and humidity ranges given in the specifications.

Liability

In the event of improper installation of the device or failure to follow the warnings set forth in this installation manual Mercedes-Benz disclaims any liability for damage that may occur and the warranty for the device is rendered invalid.

FCC Communication Regulations

This device complies with Part 15 of the FCC rules. Operation is subject to the following two conditions:

- This device may not cause harmful interference.

- This device must accept any interference received, including interference that may cause undesired operation.



WARNING

Changes or modifications not expressly approved by the party responsible for compliance could void the user's authority to operate this equipment.

Note: This equipment has been tested and found to comply with the limits for a Class B digital device, pursuant to part 15 of the FCC Rules. These limits are designed to provide reasonable protection against harmful interference in a residential installation.

This equipment generates, uses, and can radiate radio frequency energy and, if not installed and used in accordance with the instructions, may cause harmful interference to radio communications. However, there is no guarantee that interference will not occur in a particular installation. If this equipment does cause harmful interference to radio or television reception, which can be determined by turning the equipment off and on, the user is encouraged to try to correct the interference by one or more of the following measures:

- Reorient or relocate the receiving antenna.
- Increase the separation between the equipment and receiver.

- Connect the equipment into an outlet on a circuit different from that to which the receiver is connected.
- Consult an experienced radio/TV technician for help.



WARNING

This equipment should be installed and operated with a minimum distance of 20 cm (8 in) between the radiator and any part of the human body.

Note: Wi-Fi, Bluetooth and NFC interfaces support simultaneous transmission: the device is tested using the FCC multi-transmitter procedures.

US contact information for FCC compliance:

EVBox North America
 1930 Innovation Way, Suite 200
 Libertyville, Illinois
 60048, USA
 www.evbox.com

Canadian Regulatory Statements

This device complies with Industry Canada license-exempt RSS standard(s). Operation is subject to the following two conditions: 1. This device may not cause interference. 2. This device must accept any interference, including interference that may cause undesired operation of the device. Under Industry Canada regulations, this radio transmitter may only operate using an antenna of a type and maximum (or lesser) gain approved for the transmitter by Industry Canada. To reduce potential radio interference to other users, the antenna type and its gain should be so chosen that the equivalent isotopically radiated power (e.i.r.p.) is not more than that necessary for successful communication. This equipment complies with the ICES RF radiation exposure limits set forth for an uncontrolled environment.

This equipment should be installed and operated with a minimum distance of 20 cm (8 in) between the radiator and any part of the human body.

Note This device, when operated in the band 5.150–5.250 GHz, is only for indoor use to reduce the potential for harmful interference to cochannel mobile satellite systems.

Requirements for the installation

Observe the following points before installing the device:

- Check the scope of delivery for damage. If you find any damage, the wallbox must not be installed.
- In order to configure the wallbox, it must first be connected to the internet (►page 8).

- The wallbox should be installed in a location that is protected from adverse weather conditions such as direct sunlight, extreme temperatures or heavy rain etc.
- The wall must have a flat structure and must be able to hold a load of at least 100 kg (220 lb).
- The location must not cause the charging cable to have sharp bends.

The following tools are recommended for installing the charging station: Drill, drill bit, spirit level, wire stripper, ferrule crimp tool, wire stripper and crimp tool (RJ45). Conduit fitting with the following specs needs to be supplied from installer: ¾ in, cULus Listed, type 4X rating, for power supply cable.

For installing in wood or panel wall, please use wood screws with pan head.

Power supply requirements



DANGER – CONNECTING THE CHARGING STATION TO THE POWER SUPPLY OTHER THAN AS SPECIFIED IN THIS SECTION CAN RESULT IN INCOMPATIBILITY OF THE INSTALLATION AS WELL AS THE RISK OF ELECTRIC SHOCK, AND THUS CAUSE DAMAGE TO THE CHARGING STATION, AND INJURY OR DEATH

Connect the charging station only in a configuration that is specified in this section.

Power Input

Split-phase (120/240 V), center-tap grounded
 240 V (-15 % +10 %), 60 Hz

Circuit Breaker

Non-GFCI two pole circuit breaker, trip curve C.
 Choose a circuit breaker with a rating corresponding to 125% of the station amperage setting set in the install app.

Pre-installation checklist

Before installation of the station, check the following:

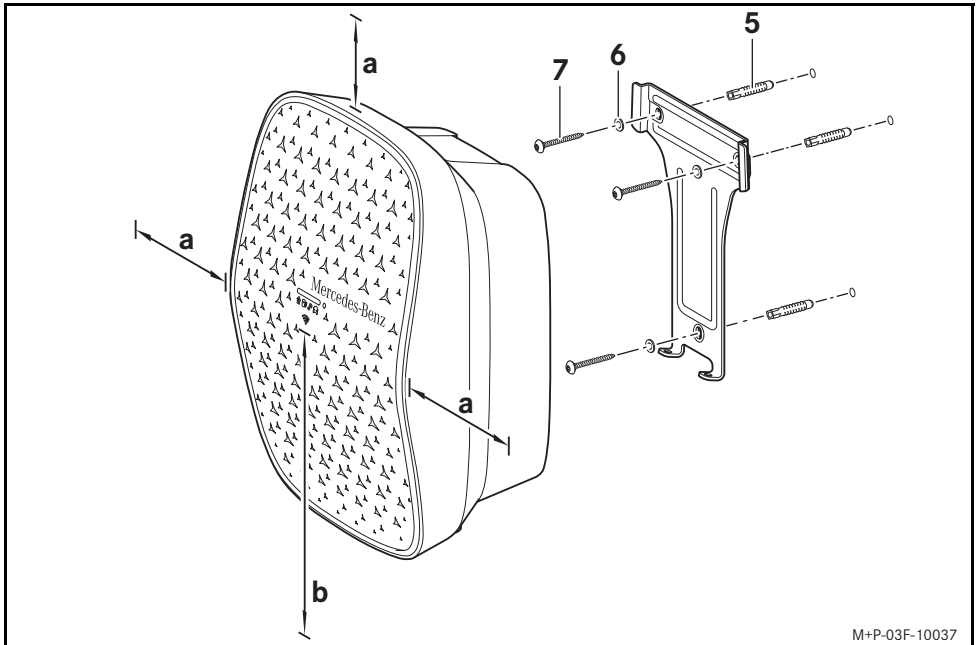
- The installation must be in accordance with ANSI/NFPA 70 National Electrical Code, and/or CSA C22.1 – 15 Canadian Electrical Code, Part 1, and/or NOM-001-SEDE Electrical installations (utility), and with all applicable local regulations.
- All necessary permits have been obtained from the local authority that has jurisdiction.
- The existing electrical load has been calculated to find the maximum operating current for the charging station installation.

- A miniature circuit breaker (MCB) is installed upstream and has the recommended ratings (see “Power supply requirements”).
- The correct specification of conduit and power supply wires has been routed to the installation area, and there is sufficient cable length to strip and connect the wires.
- The plugs, screws, and drill bit used for installing the charging station are suitable for the wall structure.

Please contact the manufacturer's installation hotline if you need support during installation.

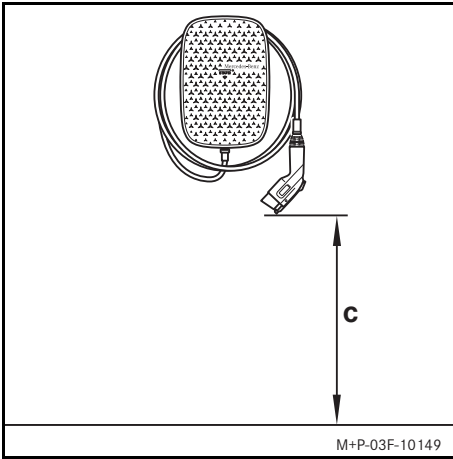
1-224-788-0090

7am - 7pm Central Time



M+P-03F-10037

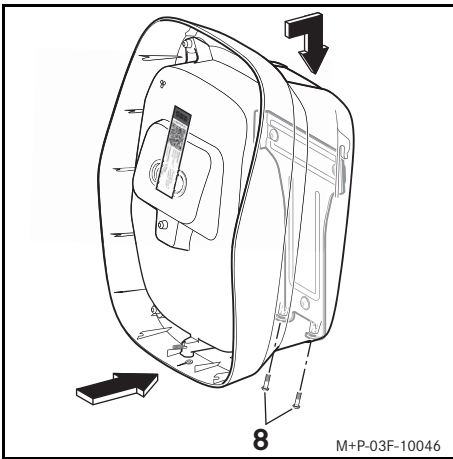
- (a) - Minimum clearance = 300 mm (12 in)
- (b) - Installation height = 760 mm (30 in) to 1220 mm (48 in)
- (5) - Wallplug 8 x 65 mm
- (6) - Washer
- (7) - T20 screw, 6 x 70 mm



This device shall be mounted at a sufficient height from ground such that the height of the storage means for the coupling device is located between 600 mm (24 inches) and 1.2 m (4 feet) from ground (c).

Installing the wallbox on the wall

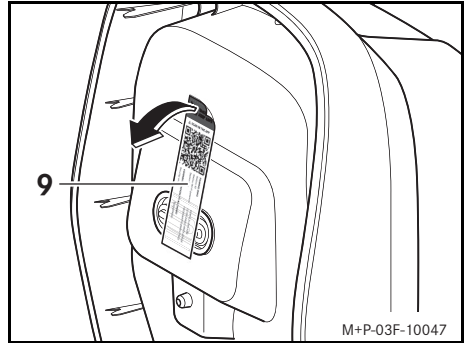
- Attach the wall bracket to a suitable wall as shown.



(8) - T20 TR screw, 4 x 12 mm

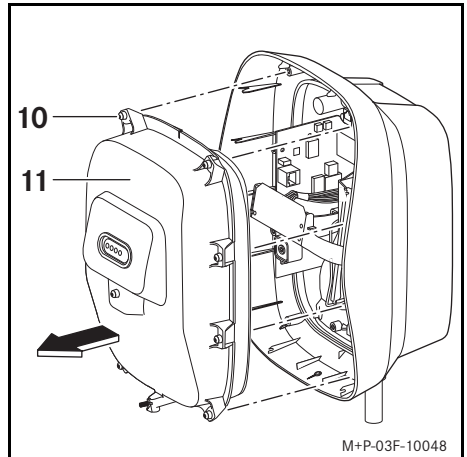
- Hook the wallbox onto the wall bracket at the top and secure it at the bottom using two screws (8).

Removing the sticker



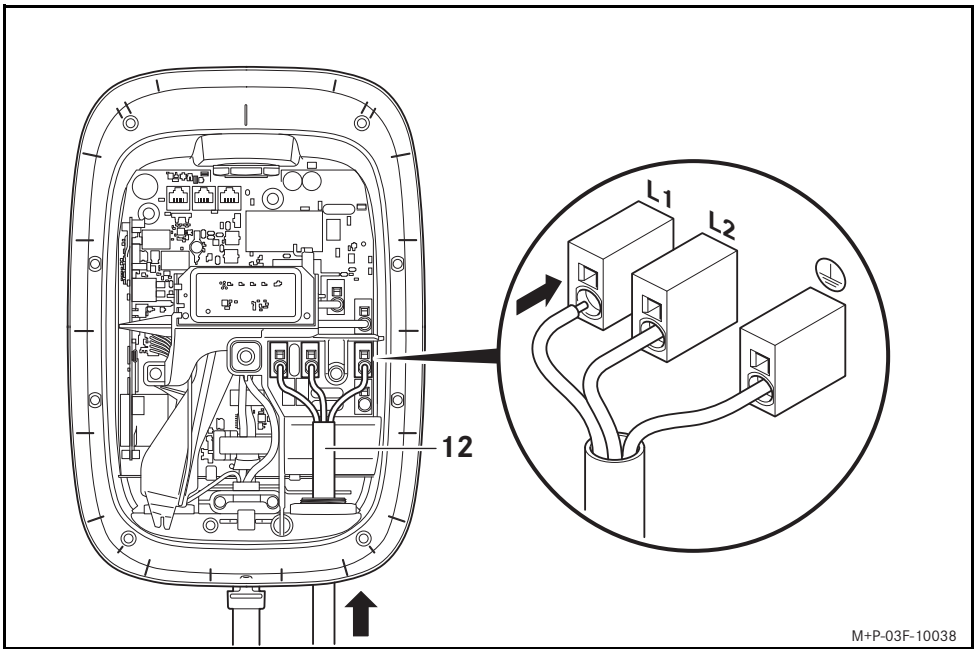
- Remove sticker (9) which is required for the configuration of the wallbox and attach it to the back of the enclosed Operating Instructions.

Removing the inner cover



(10) - T20 TR screw

- Loosen screws (10) and remove inner cover (11).



M+P-03F-10038

Connecting the power cable

- ▶ Feed power cable (12) through the cable duct/conduit fitting and into the bottom of the wallbox as shown in the diagram.
- ▶ Connect power cable (12) to the wallbox as shown in the diagram.
Make sure that no single-insulated cables come into contact with the mainboard of the wallbox. If this cannot be ensured insulate these cables further.
- ▶ Check whether the connected cables are properly secured in place.
- ▶ Tighten the tension relief mechanism of the cable duct/conduit fitting with 5 Nm (44 lb-in).

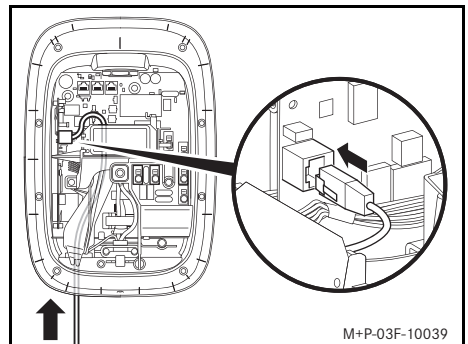
Preparing the internet connection

In order to use all of the wallbox functions, the device must be connected to the internet.

The following options are available for connecting the wallbox to the internet:

- Wi-Fi-connection
- Connection of a network cable (RJ45)

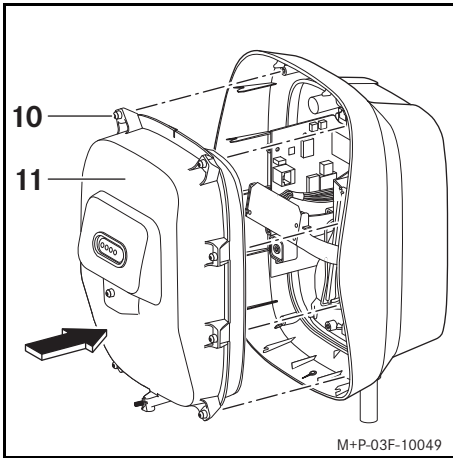
Optional: Connect a network cable (RJ45)



M+P-03F-10039

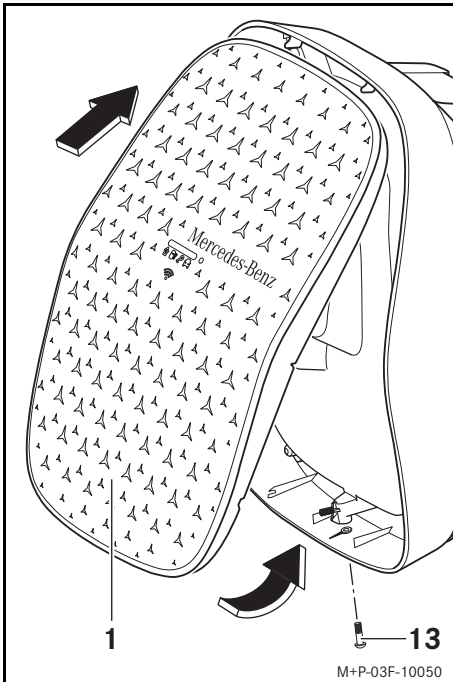
- ▶ Feed the network cable from underneath through the left-hand cable duct and into the wallbox before connecting it.

Installing the inner cover



- ▶ Secure inner cover (11) using screws (10).

Installing the outer cover



Screw (13) is installed in cover (1) at delivery.

- ▶ Unscrew screw (13) from cover (1).
- ▶ Insert cover (1) into the top of the housing and fold it down.
- ▶ Secure cover (1) using screw (13).
- ▶ Connect the power supply.

Configuring the wallbox

In order to configure the wallbox, it must be connected to the EVBox Install app. We recommend the homeowner downloads the app on their device before a qualified electrician inputs the correct electrical configuration.

To configure the wallbox, you will require the information on sticker (9).



- ▶ Download the EVBox Install App.
- ▶ Follow the instructions in the app to configure the wallbox.

The maximum permissible electric current is set in the EVBox Install App. Make sure that the setting in the app corresponds to the permissible electric current of the household installation.

You can find information on the LED display of the wallbox in the Operating Instructions.

License information

To call up the license information for the wallbox, connect your smartphone with the Wi-Fi hotspot of the wallbox. The Station-ID and the Wi-Fi password required for logging in can be found on sticker (9). Once the connection has been established, enter the web address "http://192.168.123.4" in the web browser to display the license information.

Checking the installation

Complete all of the tests on the wallbox that are prescribed for its installation site.

These include:

- Continuity of the protective earth connections
- Insulation resistance
- Loop impedance
- Voltage drop
- Tripping current and tripping time of the fault current circuit breaker
- Phase sequence

As well as further tests in accordance with local regulations.



Bienvenue

Lisez attentivement ces instructions d'installation avant de commencer l'installation de l'appareil.

Lors de l'installation, respectez en outre les prescriptions légales et locales en vigueur dans le pays où l'appareil doit être installé.

Mercedes-Benz développe continuellement ses produits et se réserve le droit de modifier les points suivants :

- Forme
- Equipement
- Solutions techniques

Equipements livrés

Des divergences sont possibles selon les pays.

1 Cache

2 Boîte murale avec câble de charge fixe

3 Support mural

4 Kit d'installation

- 3 x Cheville 8 x 65 mm
- 3 x Vis T20 6 x 70 mm
- 3 x Rondelle
- 2 x Vis T20 TR 4 x 12 mm
- 1 x Embout T20 TR

INSTRUCTIONS IMPORTANTES CONCERNANT LA SÉCURITÉ

CONSERVER CES INSTRUCTIONS.



AVERTISSEMENT

Lors de l'utilisation de produits électriques, les précautions suivantes doivent toujours être suivies, notamment les suivantes :

INSTRUCTIONS AYANT TRAIT À UN RISQUE D'INCENDIE OU DE CHOC ÉLECTRIQUE.



DANGER – DANGER DE MORT RÉSULTANT DE TRAVAUX SUR LA BOÎTE MURALE

S'il'installation, la maintenance, les travaux de réparation ou le démontage de la boîte murale sont effectués par du personnel non qualifié, cela risque de provoquer un incendie ou une électrocution, par exemple.

Confiez toujours ces travaux à un spécialiste qualifié en électricité.



DANGER – LE NON-RESPECT DES INSTRUCTIONS DE MONTAGE ET D'UTILISATION DONNÉES DANS CETTE NOTICE D'UTILISATION ENTRAÎNE UN RISQUE D'ÉLECTROCUTION, QUI PEUT PROVOQUER DES BLESSURES GRAVES, VOIRE MORTELLES

Lisez la présente notice d'utilisation avant d'installer ou d'utiliser la borne de recharge.

La surveillance d'un adulte est requise lorsque des enfants peuvent accéder à une borne de recharge en cours d'utilisation.

Ne mettez pas vos doigts dans le connecteur du véhicule électrique.

N'utilisez pas la borne de recharge si l'alimentation en tension, le boîtier ou un connecteur pour VE est cassé, fissuré, ouvert ou présente tout autre signe de dommage.

N'utilisez pas la borne de recharge si un câble de charge est effiloché, si son isolation est abîmée ou s'il présente tout autre signe de dommage.

Si vous n'êtes pas sûr de la façon d'installer ou d'utiliser la borne de recharge après avoir lu la présente notice d'utilisation, contactez votre revendeur pour plus d'informations.



DANGER – L'INSTALLATION DE LA BORNE DE RECHARGE DANS UN GARAGE À USAGE PROFESSIONNEL UTILISÉ POUR LA RÉPARATION DE VÉHICULES À MOTEUR À COMBUSTION INTERNE ENTRAÎNE UN RISQUE D'EXPLOSION, QUI PEUT PROVOQUER DES BLESSURES GRAVES, VOIRE MORTELLES

Ne pas utiliser dans les garages à usage professionnel où un GARAGE A USAGE PROFESSIONNEL est défini comme un local, ou une partie d'un local, utilisé pour la réparation de véhicules à moteur à combustion interne, dans lequel la zone peut être classée en raison de la présence de vapeurs de liquides inflammables (essence).



DANGER – SI VOUS TRAVAILLEZ SUR DES INSTALLATIONS ÉLECTRIQUES SANS PRENDRE LES PRÉCAUTIONS NÉCESSAIRES, VOUS RISQUEZ DE RECEVOIR UN CHOC ÉLECTRIQUE, CE QUI PEUT ENTRAÎNER DES BLESSURES GRAVES, VOIRE MORTELLES.

Coupez l'alimentation électrique avant d'installer la borne de recharge.

Ne mettez pas la borne de recharge en marche si elle n'est pas intégralement installée ou si elle n'est pas sécurisée.

N'installez pas une borne de recharge qui est défectueuse ou qui présente un problème notable.



ATTENTION

Utilisez uniquement des fils en cuivre de calibre 4 AWG adaptés à une température de 75 °C (167 °F).



ATTENTION

Pour réduire le risque d'incendie, raccordez l'appareil uniquement à un circuit équipé d'une protection contre les surintensités du circuit de dérivation de 60 ampères maximum, conformément à la norme ANSI/NFPA 70 du Code national de l'électricité et/ou à la norme CSA C22.1 - 15 du Code canadien de l'électricité, Première partie et/ou à la norme NOM-001-SEDE Installations électriques (utilisation).



ATTENTION

Ce produit doit être raccordé à un système de câblage permanent, métallique et mis à la terre ou un conducteur de mise à la terre de l'équipement doit être installé avec les conducteurs du circuit et raccordé à la borne de mise à la terre de l'équipement sur le produit.

Spécifications techniques

Propriétés électriques	
Puissance de charge maximale	Jusqu'à 11,5 kW (240 V biphasé, 48 A) Remarque: la puissance peut être réduite. La puissance de charge dépend de facteurs tels que la demande du véhicule électrique, l'alimentation en tension disponible et la température ambiante.
Mode de charge	Niveau 2 (SAE J1772) / Mode 3 EVSE (IEC 61851)
Câble de charge fixe Longueur du câble de charge fixe	Fiche de type 1 (SAE J1772) 7 m (23 ft)
Capacité d'entrée	240 V, 60 Hz, biphasé, 48 A
Diamètre du raccord de conduit	¾ in
Calibre des fils du câble d'alimentation (pour les connecteurs à enficher)	Fil plein: fil en cuivre de 16 mm ² (4 AWG) adapté à une température de 75 °C (167 °F) Fil toronné avec embout (sans manchon en plastique): connecteurs de 16 mm ² maximum (4 AWG)
Environnement et classe de sécurité	
Plage de température de service	De -30 °C à +50 °C (de -22°F à +122 °F)
Plage de température de stockage	De -40 °C à +80 °C (de -40 °F à +176 °F)
Fonctionnalité	
Humidité (sans condensation)	De 5 % à 95 %

Altitude maximale d'installation	3 000 m (9 843 ft) au-dessus du niveau de la mer
Indice de protection	UL50E de type 4X
Sécurité électrique	Listé UL - numéro de fichier E48 1618
Protection contre les surtensions	6 000 V
Classe de sécurité	Classe de sécurité I et catégorie de surtension III
Compatibilité électromagnétique (CEM)	Conformité FCC partie 15 classe B et ICES-003 classe B
Connectivité	
Autorisation	Lecteur RFID ou utilisation d'une application
Wi-Fi	2,4 et 5 GHz
Réseau local	Ethernet
Protocole de communication	OCPP 2.0.1 J
Authentification	OCPP 2.0.1 Profil 3 (TLS)
Cryptage	Stockage dédié de la clé privée TPM (Trusted Platform Module)
Conformité	ISO 27001, ISO 27002, OWASP IoT Project
Protocoles pris en charge	OpenSSL, embedTLS, HTTPS, SFTP/FTPS, SSH
Propriétés physiques	
Dimensions (L x H x P)	250 x 366 x 184 mm (9,84 x 14,41 x 7,24 in)
Poids	Environ 7,3 kg (16,1 lb)
Certification et conformité	
Entrée de l'alimentation en tension	Équipement d'alimentation du véhicule électrique raccordé en permanence au réseau d'alimentation AC
Sortie de l'alimentation en tension	Équipement d'alimentation AC du véhicule électrique
Conditions environnementales normales	Utilisation intérieure et extérieure
Accès	Équipement pour les lieux à accès non restreint
Type d'équipement	Équipement stationnaire monté sur un mur

Précautions à prendre pour le déplacement et le stockage

Respectez les directives suivantes lors du déplacement et du stockage de la borne de recharge :

- Ne soulevez jamais la borne de recharge par le câble de charge.
- Coupez l'alimentation avant de retirer la borne de recharge pour la ranger ou la déplacer.
- Transportez et stockez la borne de recharge uniquement dans son emballage d'origine. Aucune responsabilité ne peut être acceptée pour les dommages subis lorsque le produit est transporté dans un emballage non standard.
- Stockez la borne de recharge dans un environnement sec, dans les plages de température et d'humidité indiquées dans les spécifications.

Responsabilité

En cas d'installation non conforme de l'appareil, Mercedes-Benz décline toute responsabilité pour les dommages subis et la garantie de l'appareil est annulée.

Déclarations réglementaires pour le Canada

Cet appareil est conforme aux normes RSS d'exemption de licence d'Industrie Canada. Le fonctionnement est soumis aux deux conditions suivantes : 1. cet appareil ne doit pas causer d'interférences nuisibles. 2. cet appareil doit accepter toutes les interférences, y compris celles pouvant entraîner un fonctionnement non souhaité de l'appareil. En vertu des réglementations d'Industrie Canada, cet émetteur radio ne doit être utilisé qu'avec une antenne dont le type et le gain maximal (ou inférieur) sont approuvés par Industrie Canada. Pour réduire les interférences radio

potentielles sur d'autres utilisateurs, le type d'antenne et son gain doivent être choisis de sorte que la puissance isotrope rayonnée équivalente (e.i.r.p.) ne soit pas supérieure à celle nécessaire pour établir correctement la communication. Cet équipement est conforme aux limites d'exposition au rayonnement ICES RF établies pour un environnement non contrôlé. Cet équipement doit être installé et utilisé en laissant une distance minimale de 20 cm (8 in) entre l'élément rayonnant et les membres du corps.

Remarque Lorsqu'il est utilisé dans la bande 5,150 à 5,250 GHz, cet appareil est destiné uniquement à une utilisation à l'intérieur pour réduire la génération potentielle d'interférences nuisibles avec les systèmes satellites mobiles utilisant le même canal.

Conditions requises pour l'installation

Tenez compte des points suivants avant de commencer l'installation:

- Contrôlez l'état des équipements livrés. Si vous constatez des dommages, la boîte murale ne doit pas être installée.
- Pour pouvoir configurer la boîte murale, celle-ci doit être connectée à Internet (► page 17).
- Sur le lieu d'installation, la boîte murale doit être protégée des fortes influences météorologiques telles que le rayonnement solaire direct, les températures extrêmes ou les fortes pluies, etc.
- Le mur doit avoir une surface plane et doit pouvoir supporter une charge d'au moins 100 kg (220 lb).
- L'emplacement ne doit pas entraîner de coudes brusques sur le câble de charge.

Les outils suivants sont recommandés pour l'installation de la borne de recharge: perceuse, foret, niveau à bulle, pince à dénuder, outil de sertissage de virole, pince à dénuder et à sertir (RJ45). Le raccord de conduit avec les spécifications suivantes doit être fourni par l'installateur: ¾ in cULus, indice de protection 4X, pour câble d'alimentation.

Pour une installation sur un mur en bois ou en panneaux, utilisez des vis à bois à tête cylindrique.

Exigence en matière d'alimentation électrique



DANGER — LE RACCORDEMENT DE LA BORNE DE RECHARGE À L'ALIMENTATION EN TENSION D'UNE MANIÈRE AUTRE QUE CELLES SPÉCIFIÉES DANS CETTE SECTION PEUT ENTRAÎNER UNE INCOMPATIBILITÉ DE L'INSTALLATION AINSI QU'UN RISQUE DE CHOC ÉLECTRIQUE, ET DONC ENDOMMAGER LA BORNE DE RECHARGE ET PROVOQUER DES BLESSURES OU LA MORT

Ne raccordez la borne de recharge que dans l'une des configurations spécifiées dans cette section.

Alimentation électrique

Biphasé (120/240 V), prise centrale mise à la terre
240 V (-15 % +10 %), 60 Hz

Disjoncteur

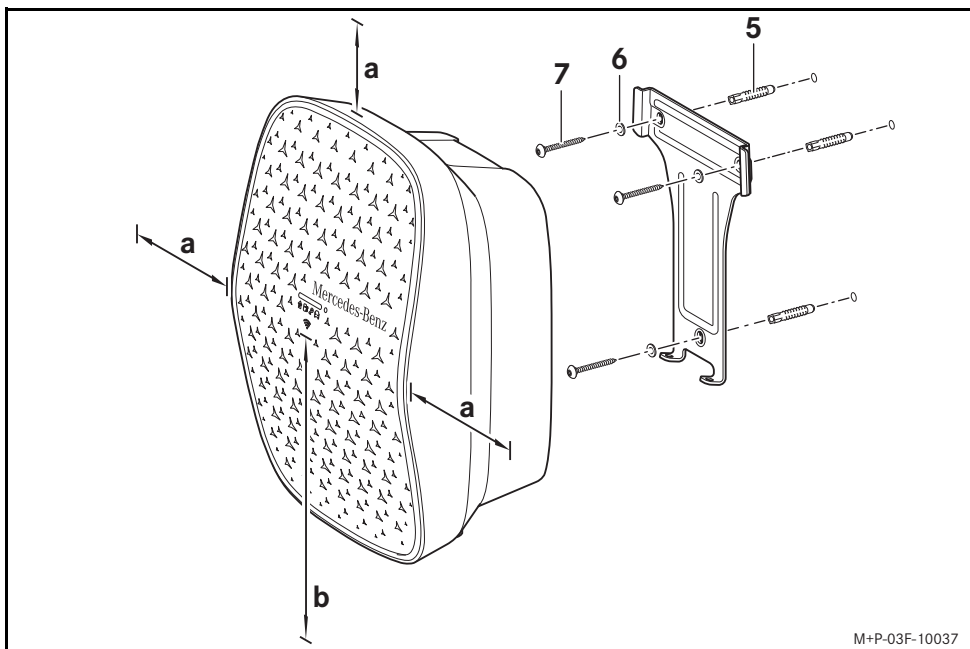
Disjoncteur bipolaire non différentiel, courbe de déclenchement C.

Choisissez un disjoncteur dont le calibre correspond à 125 % de l'ampérage de la borne.

Liste de contrôle de préinstallation

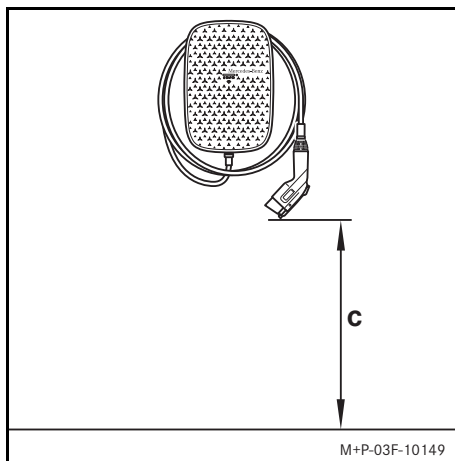
Avant d'installer la borne, vérifiez les points suivants:

- L'installation sera conforme à la norme ANSI/NFPA 70 du Code national de l'électricité et/ou à la norme CSA C22.1 - 15 du Code canadien de l'électricité, Première partie et/ou à la norme NOM-001-SEDE Installations électriques (utilisation) et à toutes les réglementations locales applicables.
- Tous les permis nécessaires ont été obtenus auprès de l'autorité locale compétente.
- La charge électrique existante a été calculée afin de déterminer le courant de fonctionnement maximal pour l'installation de la borne de recharge.
- Un disjoncteur miniature (MCB) est installé en amont et a les caractéristiques recommandées (voir « Exigences en matière d'alimentation en tension »).
- Le conduit et les fils d'alimentation en tension ont été acheminés vers la zone d'installation en respectant les spécifications et la longueur de câble est suffisante pour dénuder et raccorder les fils.
- Les chevilles, vis et forets utilisés pour installer la borne de recharge sont adaptés à la structure du mur.



M+P-03F-10037

- (a) - Distance minimale = 300 mm (12 in)
- (b) - Hauteur de montage = 760 mm (30 in) à 1 220 mm (48 in)
- (5) - Cheville 8 x 65 mm
- (6) - Rondelle
- (7) - Vis T20 6 x 70 mm

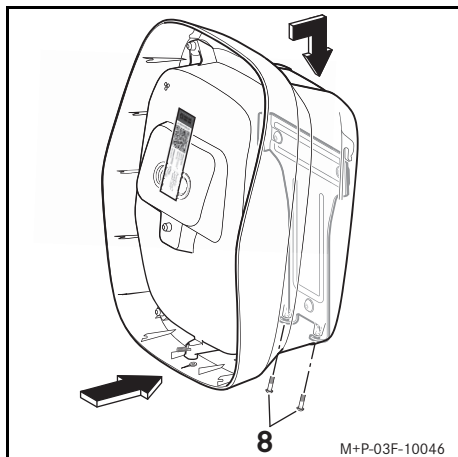


M+P-03F-10149

Ce dispositif doit être monté à une hauteur suffisante du niveau du sol pour que la hauteur du moyen de stockage du dispositif d'attelage soit située entre 600 mm et 1200 mm du niveau du sol (c).

Installation de la boîte murale au mur

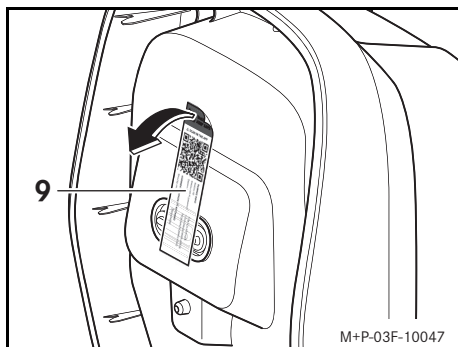
- Fixez le support mural sur un mur approprié comme indiqué.



(8) - Vis T20 TR 4 x 12 mm

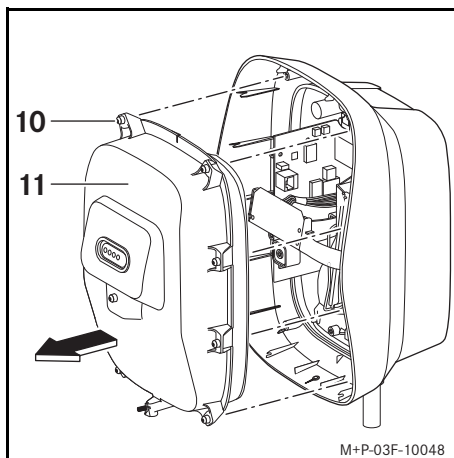
- Accrochez la boîte murale en haut dans le support mural et fixez-la en bas avec 2 vis (8).

Retrait de l'autocollant



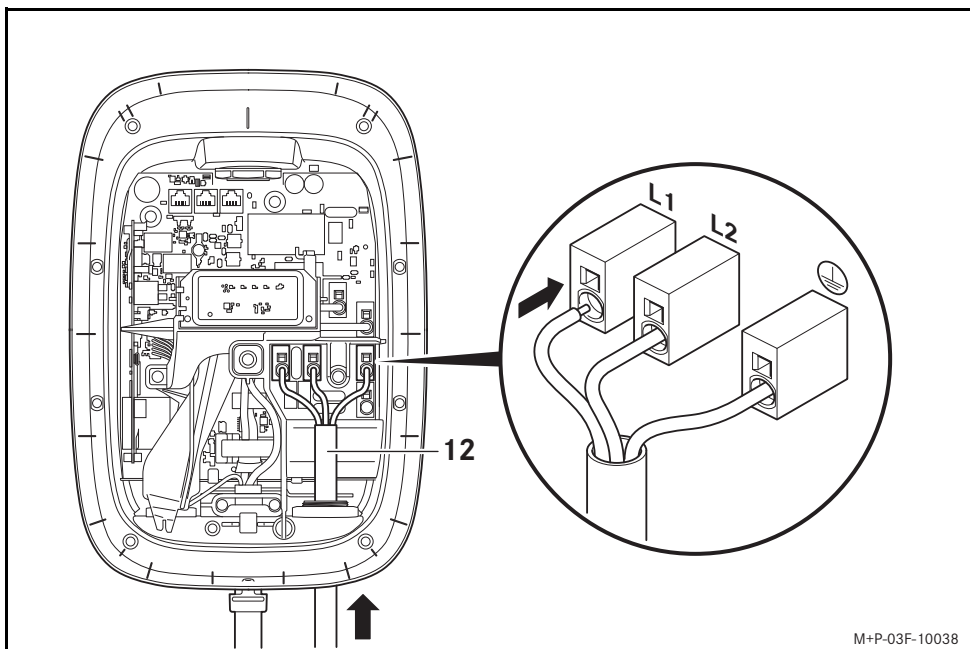
- Décollez l'autocollant (9) nécessaire à la configuration de la boîte murale et collez-le au dos de la notice d'utilisation fournie.

Démontage du cache intérieur



(10) - Vis T20 TR

- Desserrez les vis (10) et retirez le cache intérieur (11).



M+P-03F-10038

Branchement du câble d'alimentation

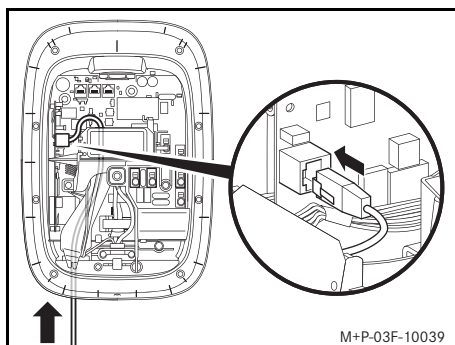
- ▶ Faites passer le câble d'alimentation (12) par le passage de câble en bas de la boîte murale comme indiqué sur l'illustration.
- ▶ Raccordez le câble d'alimentation (12) à la boîte murale comme indiqué sur l'illustration.
Veillez à ce que les câbles à isolation simple ne touchent pas la carte mère de la boîte murale. Si cela ne peut pas être garanti, isolez davantage ces câbles.
- ▶ Vérifiez que les câbles raccordés sont bien fixés.
- ▶ Vissez la décharge de traction du passage de câble.

Préparation de la connexion Internet

Pour pouvoir utiliser toutes les fonctions de la boîte murale, l'appareil a besoin d'une connexion Internet. Une connexion Internet de la boîte murale est possible via les options suivantes :

- Connexion Wi-Fi
- Connexion d'un câble réseau (RJ45)

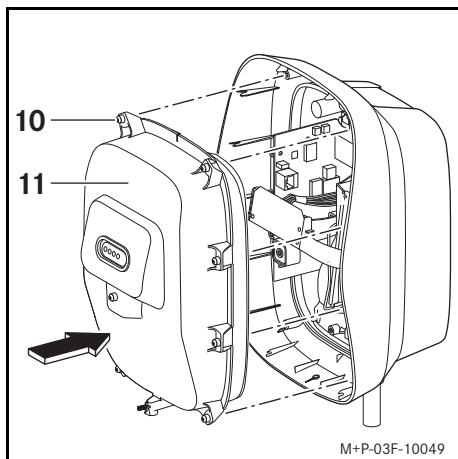
En option: connexion d'un câble réseau (RJ45)



M+P-03F-10039

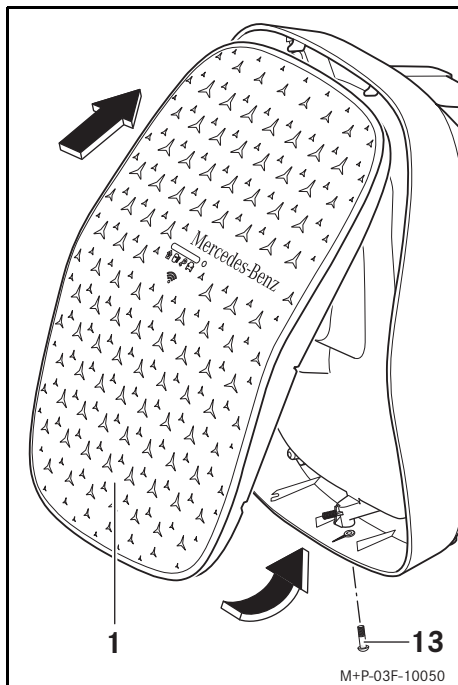
- ▶ Introduisez le câble réseau dans la boîte murale par le bas en empruntant le passage de câble de gauche et branchez-le.

Montage du cache intérieur



- ▶ Vissez le cache intérieur (11) avec les vis (10).

Montage du cache extérieur



La vis (13) est intégrée dans le cache (1) à la livraison.

- ▶ Dévissez la vis (13) du cache (1).
- ▶ Insérez le cache (1) dans le haut du boîtier et faites-le pivoter vers le bas.
- ▶ Vissez le cache (1) avec la vis (13).
- ▶ Établissez l'alimentation électrique.

Configuration de la boîte murale

Pour pouvoir configurer la boîte murale, celle-ci doit être connectée à Internet.

Les informations figurant sur l'autocollant (9) sont nécessaires à la configuration de la boîte murale.



- ▶ Téléchargez l'application EVBox Install avec votre smartphone ou votre tablette, par exemple.
- ▶ Suivez les instructions données par l'application pour configurer la boîte murale.

L'application EVBox Install permet de régler l'intensité maximale autorisée. Assurez-vous que le réglage dans l'application correspond à l'intensité de courant autorisée dans l'installation domestique.

Vous trouverez des informations sur l'affichage LED de la boîte murale dans la notice d'utilisation.

Informations sur les licences

Pour récupérer les informations sur les licences depuis la boîte murale, connectez votre smartphone au point d'accès Wi-Fi de la boîte murale. Vous trouverez l'identifiant de borne nécessaire à la connexion et le mot de passe Wi-Fi sur l'autocollant (9). Une fois la connexion établie, entrez l'adresse Internet « <http://192.168.123.4> » dans le navigateur Web pour afficher les informations sur les licences.

Vérification de l'installation

Effectuez tous les contrôles de la boîte murale prescrits pour le lieu d'installation.

Il s'agit notamment des contrôles suivants :

- Continuité des connexions des conducteurs de protection
- Résistance d'isolement
- Impédance de boucle
- Chute de tension
- Courant de déclenchement et temps de déclenchement du disjoncteur de courant de défaut
- Sens du champ magnétique rotatif

Ainsi que d'autres contrôles conformément aux dispositions locales.



Le damos la bienvenida

Lea cuidadosamente estas instrucciones de instalación antes de empezar a instalar el aparato.

En la instalación, observe también la legislación o normas locales vigente en el país en el que vaya a instalar el aparato.

Mercedes-Benz continúa desarrollando sus productos permanentemente y, por tanto, se reserva el derecho a introducir modificaciones en los siguientes puntos:

- Forma
- Equipamiento
- Técnica

Contenido

Pueden existir divergencias para determinados países.

1 Cubierta

2 Wallbox con cable de carga de instalación fija

3 Soporte mural

4 Kit de instalación

- 3 tacos de 8 × 65 mm
- 3 tornillos T20 de 6 × 70 mm
- 3 arandelas
- 2 tornillos T20 TR de 4 × 12 mm
- 1 punta T20 TR

INSTRUCCIONES IMPORTANTES DE SEGURIDAD GUARDE ESTAS INSTRUCCIONES.



ADVERTENCIA

Al usar productos eléctricos, siempre se deben seguir las siguientes precauciones, incluidas las siguientes:

INSTRUCCIONES RELACIONADAS A UN RIESGO DE INCENDIO O CHOQUE ELÉCTRICO.



PELIGRO – PELIGRO DE MUERTE AL REALIZAR TRABAJOS EN LA WALLBOX

Si personal no debidamente cualificado realiza la instalación, el mantenimiento, la reparación o el desmontaje de la wallbox, podría producirse un incendio o descarga eléctrica.

Encargue estos trabajos exclusivamente a un electricista cualificado.



PELIGRO – EL INCUMPLIMIENTO DE LAS INSTRUCCIONES DE MONTAJE Y USO INCLUIDAS EN ESTE MANUAL CONLLEVA EL RIESGO DE DESCARGA ELÉCTRICA Y LAS CONSIGUIENTES LESIONES GRAVES O INCLUSO MORTALES

Lea este manual antes de instalar o utilizar la estación de carga.

Es necesaria la supervisión de un adulto cuando los niños tengan acceso a una estación de carga en uso.

No ponga los dedos en el conector del vehículo eléctrico.

Asegúrese de que el área de contacto del enchufe de carga esté limpio y seco antes de iniciar una sesión de carga.

Asegúrese de que el cable de carga está posicionado de modo que no puedan pisarlo, tropezar con él, conducir sobre él o someterlo de cualquier otro modo a una fuerza o daño excesivo. Cuando sea aplicable, asegúrese de que el cable de carga esté correctamente guardado cuando no esté en uso y compruebe que el enchufe de carga no toque el suelo.

Si aun después de leer este manual no está seguro de cómo instalar o usar la estación de carga, póngase en contacto con su distribuidor para más datos.



PELIGRO – INSTALAR LA ESTACIÓN DE CARGA EN UN TALLER PROFESIONAL QUE SE REPAREN VEHÍCULOS DE MOTOR DE COMBUSTIÓN INTERNA CONLLEVA RIESGO DE EXPLOSIÓN Y LAS CONSIGUIENTES LESIONES GRAVES O INCLUSO MORTALES

No adecuado para el uso en talleres profesionales, entendiéndose por TALLER PROFESIONAL las instalaciones, o parte de ellas, utilizadas para la reparación de vehículos de motor de combustión interna, cuya zona pueda estar clasificada debido a los vapores de líquidos inflamables (gasolina) presentes.



PELIGRO – TRABAJAR EN INSTALACIONES ELÉCTRICAS SIN LAS DEBIDAS PRECAUCIONES CONLLEVA EL RIESGO DE DESCARGA ELÉCTRICA Y LAS CONSIGUIENTES LESIONES GRAVES O INCLUSO MORTALES

Desconecte el suministro eléctrico antes de instalar la estación de carga.

No encienda la estación de carga mientras no se haya completado el montaje y esté segura.

No instale una estación de carga defectuosa o que tenga un problema evidente.



PRECAUCIÓN

Use exclusivamente cableado de campo de cobre 4 AWG para 75 °C (167 °F).



PRECAUCIÓN

Para reducir el riesgo de incendio, conecte solo a un circuito provisto de una protección de sobrecorriente con circuito derivado de 60 amperes como máximo de acuerdo con el Código Eléctrico Nacional ANSI/NFPA 70 de EE. UU. y/o el Código Eléctrico Canadiense CSA C22.1-15, parte 1 y/o la norma NOM-001-SEDE Instalaciones Eléctricas (utilización).



PRECAUCIÓN

Este producto se debe conectar a un sistema de cableado permanente, metálico y conectado a tierra, o bien se debe tender un conductor de puesta a tierra del equipo con los conductores del circuito y conectarlo a la terminal de puesta a tierra del producto.

Propiedades eléctricas	
Velocidad de carga máxima	Hasta 11.5 kW (240 V de fase dividida, 48 A) Nota: Puede haber una reducción de la carga. La velocidad de carga depende de factores como la demanda del vehículo eléctrico, la alimentación eléctrica disponible y la temperatura ambiente.
Modo de carga	Nivel 2 (SAE J1772) / modo 3 EVSE (IEC 61851)
Cable de carga integrado Longitud del cable de carga integrado	Clavija de tipo 1 (SAE J1772) 7 m (23 ft)
Capacidad de entrada	240 V, 60 Hz, de fase dividida, 48 A
Diámetro de racor de tubo	¾ in
Calibre de hilo del cable de conexión (para terminales de inserción)	Cable compacto: Cableado de campo de cobre de 16 mm ² (4 AWG) para 75 °C (167 °F) Cable trenzado con virola (sin funda de plástico): máximo 16 mm ² (terminales) (4 AWG)
Medioambiente y clase de seguridad	
Intervalo de temperatura de servicio	de -30 °C a +50 °C (de -22 °F a +122 °F)
Intervalo de temperatura de almacenamiento	de -40 °C a +80 °C (de -40 °F a +176 °F)
Característica	
Humedad (sin condensación)	de 5 % a 95 %
Altitud máxima de instalación	3000 m (9843 ft) sobre el nivel del mar
Clase de protección de carcasa	Clase UL50E 4X
Seguridad eléctrica	Certificado UL, número de expediente E481618
Protección contra sobretensiones	6000 V

Clase de seguridad	Clase de seguridad I y categoría de sobretensión III
Compatibilidad electromagnética (CEM)	FCC parte 15 clase B; ICES-003 cumplimiento de clase B
Conectividad	
Autorización	Lector RFID o usando una app
Wi-Fi	2.4 y 5 GHz
Red de área local	Ethernet
Protocolo de comunicación	OCP 2.0.1 J
Autenticación	OCP 2.0.1 perfil 3 (TLS)
Cifrado	Almacenamiento de clave privada por TPM (Trusted Platform Module) dedicado
Conformidad	ISO 27001, ISO 27002, proyecto IoT de OWASP
Protocolos compatibles	OpenSSL, embedTLS, HTTPS, SFTP/FTPS, SSH
Propiedades físicas	
Dimensiones (an. × al. × lg.)	250 × 366 × 184 mm (9.84 × 14.41 × 7.24 in)
Peso	Aproximadamente 7.3 kg (16.1 lb)
Homologación y conformidad	
Entrada de alimentación eléctrica	Equipo de alimentación de vehículo eléctrico conectado de forma permanente a red de alimentación de CA
Salida de alimentación eléctrica	Equipo de alimentación de vehículo eléctrico con CA
Condiciones normales del entorno	Uso en interiores y exteriores
Acceso	Equipo para ubicaciones con acceso no restringido
Tipo de equipo	Equipo fijo montado en pared

Precauciones de transporte y almacenamiento

Respete las siguientes directrices al mover y guardar la estación de carga:

- Nunca levante la estación de carga por su cable de carga.
- Desconecte el suministro eléctrico antes de desmontar la estación de carga para guardarla o cambiarla de sitio.
- Transporte y almacene siempre la estación de carga en su embalaje original. No se acepta ninguna responsabilidad por los daños provocados al transportar el producto en embalajes no normalizados.
- Conserve la estación de carga en un lugar seco, dentro de los intervalos de temperatura y humedad indicados en las especificaciones.

Responsabilidad

En caso de instalación no profesional del aparato, Mercedes-Benz declina toda responsabilidad por los daños causados y la garantía del dispositivo se extingue.

Regulaciones de comunicación de la IFT

La operación de este equipo está sujeta a las siguientes dos condiciones: 1. es posible que este equipo o dispositivo no cause interferencia perjudicial y 2. este equipo o dispositivo debe aceptar cualquier interferencia, incluyendo la que pueda causar su operación no deseada.

Este equipo no cuenta desde su fabricación, con todos los componentes que permitan el establecimiento automático de llamadas de voz mediante la funcionalidad VoLTE.



ADVERTENCIA

Los cambios o modificaciones no aprobados expresamente por la parte responsable del cumplimiento podrían anular la autoridad del usuario para operar este equipo.

Nota: Este equipo ha sido probado y se encontró que cumple con los límites para un dispositivo digital de clase B, de conformidad con la parte 15 de las normas de la FCC. Estos límites están diseñados para brindar

una protección razonable contra interferencias dañinas en una instalación residencial.

Este equipo genera, usa y puede irradiar energía de radiofrecuencia y, si no se instala y usa de acuerdo con las instrucciones, puede causar interferencias dañinas en las comunicaciones por radio. Sin embargo, no hay garantía de que no se produzcan interferencias en una instalación en particular. Si este equipo causa interferencias dañinas en la recepción de radio o televisión, lo que se puede determinar apagando y encendiendo el equipo, se recomienda al usuario que intente corregir la interferencia mediante una o más de las siguientes medidas:

- Reorientando o reubicando la antena receptora.
- Aumentando la separación entre el equipo y el receptor.
- Conectando el equipo a una toma de un circuito diferente al que está conectado el receptor.
- Consultando al distribuidor o a un técnico especializado en radio/TV para obtener ayuda.



ADVERTENCIA

Este equipo debe instalarse y operarse con una distancia mínima de 20 cm (8 in) entre el radiador y cualquier parte del cuerpo humano.

Nota: Las interfaces Wi-Fi, Bluetooth y NFC admiten transmisión simultánea: el dispositivo se prueba usando los procedimientos multitransmisor de la FCC.

Información de contacto en México:

Mercedes-Benz México, S. de R.L. de C.V.
Av. Santa Fe N.º 428, Torre 3
05348 Cuajimalpa. Ciudad de México
México

Requisitos para la instalación

Tenga en cuenta los siguientes puntos antes de empezar la instalación:

- Revise todas las piezas por si presentan algún daño. De haber algún daño, no se puede instalar la wallbox.
- Para poder configurar la wallbox, esta tiene que estar conectada a Internet (► página 25).
- La wallbox debe estar protegida en su lugar de instalación de las inclemencias del tiempo, por ejemplo, de la irradiación solar directa, las temperaturas extremas o la lluvia intensa.
- La pared debe tener estructura plana y una capacidad de carga de la menos 100 kg (220 lb).
- La ubicación no debe provocar que el cable de carga quede doblado.

Se recomiendan las siguientes herramientas para instalar la estación de carga: taladro, broca, nivel de burbuja, pelacables, engarzadora, engarzadora pelacables (RJ45). El instalador debe suministrar un racor de tubo con las siguientes especificaciones: ¾ in cULus listado, clase de protección 4XI, para cable de fuente de alimentación.

Para la instalación en paredes de madera o chapa, utilice tornillos adecuados para madera, de cabeza alomada.

Requisitos de la alimentación eléctrica



PELIGRO – LA CONEXIÓN DE LA ESTACIÓN DE CARGA A UNA ALIMENTACIÓN ELÉCTRICA QUE DIFIERA DE LA ESPECIFICADA EN ESTE APARTADO PUEDE PROVOCAR LA INCOMPATIBILIDAD DE LA INSTALACIÓN, ADEMÁS DEL RIESGO DE DESCARGA ELÉCTRICA QUE PODRÍA DAÑAR LA ESTACIÓN DE CARGA Y CAUSAR LESIONES O INCLUSO LA MUERTE

Conecte la estación de carga exclusivamente en una configuración especificada en este apartado.

Alimentación eléctrica

De fase dividida (120/240 V), con puesta a tierra central
240 V (-15% +10%), 60 Hz

Interruptor protector

Interruptor protector bipolar no GFCI, curva de disparo C.

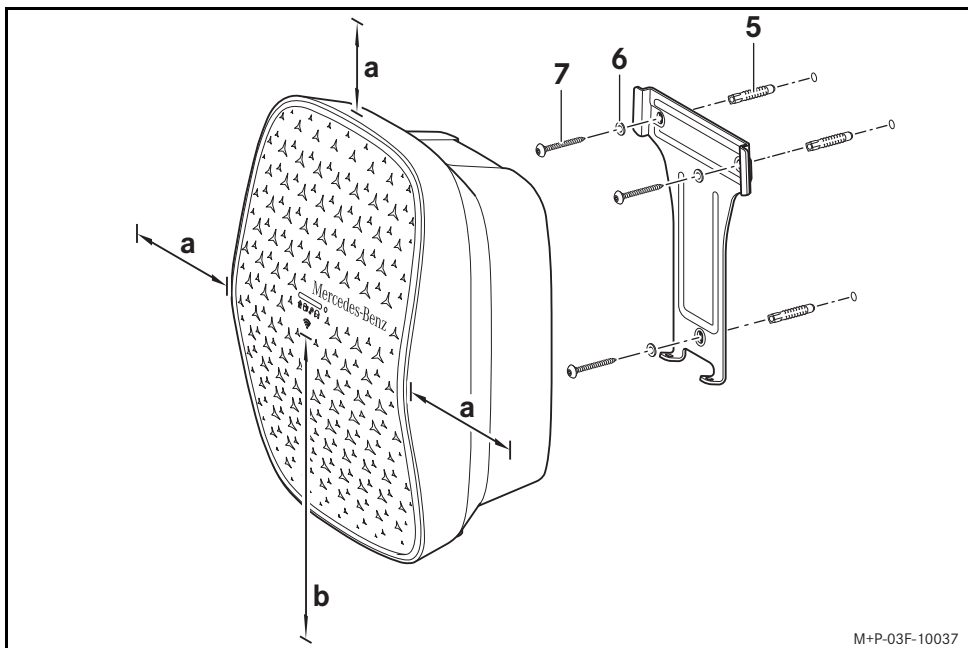
Escoja un interruptor protector que corresponda al 125% del amperaje de la estación.

Lista de comprobación preinstalación

Antes de instalar la estación, compruebe lo siguiente:

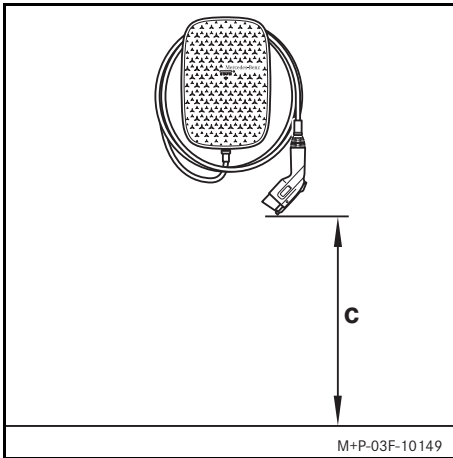
- La instalación cumplirá el Código Eléctrico Nacional ANSI/NFPA 70 de EE. UU. y/o el Código Eléctrico Canadiense CSA C22.1-15, parte 1 y/o la norma NOM-001-SEDE Instalaciones Eléctricas (utilización), además de todas las normas locales aplicables.
- Se han obtenido todos los permisos necesarios de las autoridades locales que tengan jurisdicción.
- Se ha calculado la carga eléctrica existente para hallar la corriente de trabajo máxima de la instalación de la estación de carga.

- Hay un miniinterruptor protector (MCB) instalado antes de la estación y tiene las características recomendadas (vea "Requisitos de la alimentación eléctrica").
- Se ha tendido el tubo y los cables de alimentación eléctrica de la especificación correcta hasta la zona de montaje y los cables tienen longitud suficiente para pelarlos y conectarlos.
- Las clavijas, tornillos y broca usados para instalar la estación de carga son adecuados para la estructura de la pared.



M+P-03F-10037

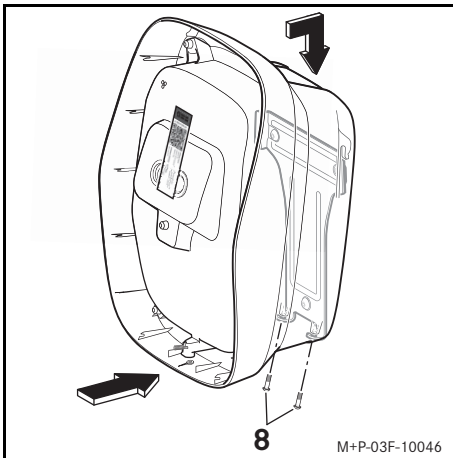
- (a) - Distancia mínima = 300 mm (12 in)
 (b) - Altura de montaje = de 760 mm (30 in) a 1.220 mm (48 in)
 (5) - Taco de 8 × 65 mm
 (6) - Arandela
 (7) - Tornillo T20 de 6 × 70 mm



Este dispositivo debe montarse a una altura suficiente desde el nivel del suelo, de modo que la altura de los medios de almacenamiento para el dispositivo de acoplamiento esté ubicada entre 600 mm et 1200 mm desde el nivel del suelo (c).

Instalación mural de la wallbox

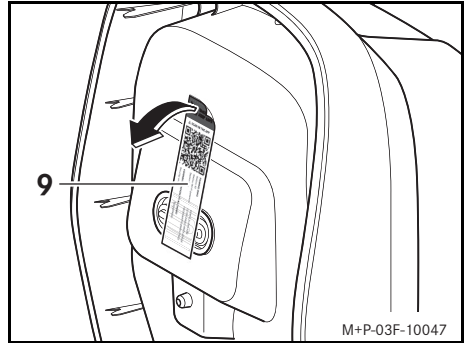
- Fije el soporte mural en una pared adecuada como se muestra en la ilustración.



(8) Tornillo T20 TR de 4 × 12 mm

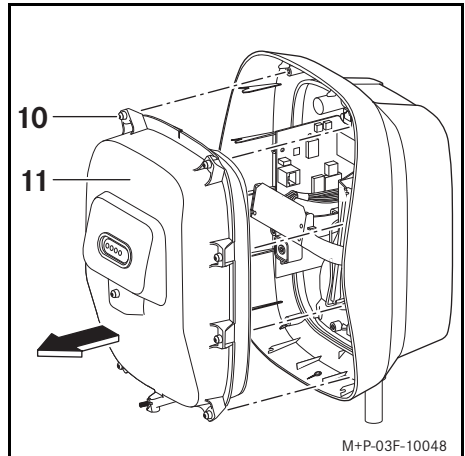
- Enganche la parte superior de la wallbox en el soporte mural y fíjela abajo con dos tornillos (8).

Retirada del adhesivo



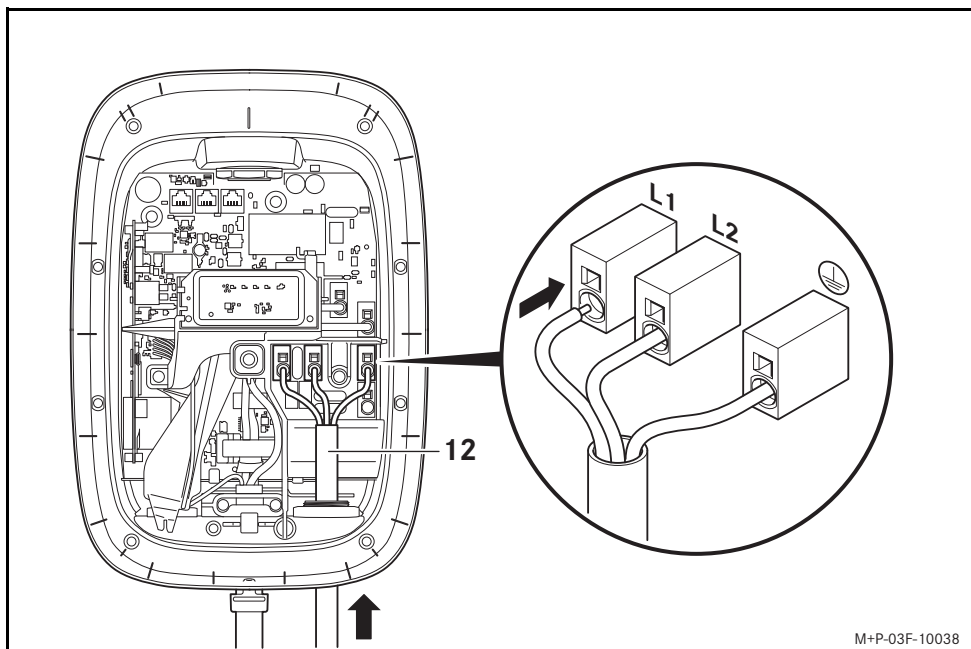
- Retire el adhesivo (9) requerido para configurar la wallbox y péguelo a la parte trasera del manual de instrucciones adjunto.

Desmontaje de la cubierta interior



(10) Tornillo T20 TR

- Suelte los tornillos (10) y desmonte la cubierta interior (11).



M+P-03F-10038

Conexión del cable de red eléctrica

- ▶ Introduzca el cable de red (12) a la wallbox como se muestra en la ilustración por el pasacables inferior.
- ▶ Conecte el cable de red (12) a la wallbox como se muestra en la ilustración.
Tenga en cuenta que los cables de aislamiento sencillo no deben tocar la placa base de la wallbox. Si esto no se puede garantizar, añada un aislamiento adicional a esos cables.
- ▶ Compruebe que los cables conectados estén firmes.
- ▶ Apriete el dispositivo de descarga de tracción del pasacables.

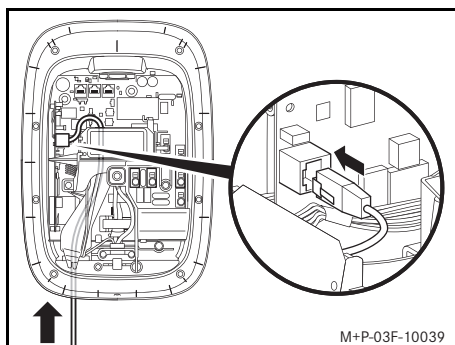
Preparación de la conexión a internet

Para poder usar todas las funciones de la wallbox, el aparato necesita una conexión a Internet.

La wallbox se puede conectar a Internet mediante las siguientes opciones:

- Conexión por WLAN
- Conexión de un cable de red (RJ45)

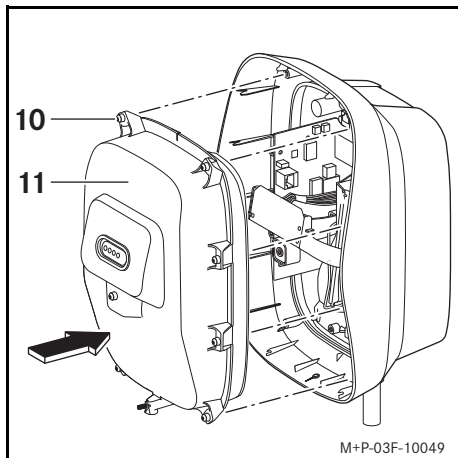
Opcional: conexión de un cable de red (RJ45)



M+P-03F-10039

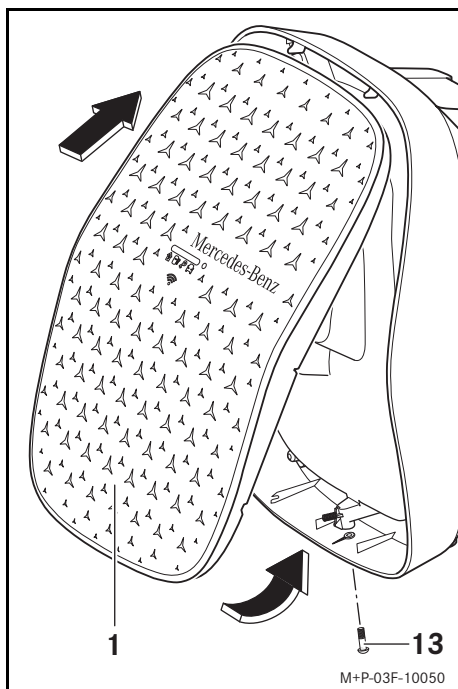
- ▶ Introduzca el cable de red en la wallbox desde abajo por el pasacables izquierdo y conéctelo.

Montaje de la cubierta interior



- Fije la cubierta interior (11) con los tornillos (10).

Montaje de la cubierta exterior



El tornillo (13) se suministra instalado en la cubierta (1).

- Desenrosque el tornillo (13) de la cubierta (1).

- Coloque la cubierta (1) en la carcasa por la parte superior y gírela hacia abajo.
- Fije la cubierta (1) con el tornillo (13).
- Establezca la alimentación eléctrica.

Configuración de la wallbox

Para poder configurar la wallbox, tiene que estar conectada a Internet.

Para la configuración de la wallbox hace falta la información incluida en el adhesivo (9).



- Descárguese la app EVBox Install, por ejemplo, con su smartphone o tableta.
- Siga las indicaciones de la app para configurar la wallbox.

Dentro de la app EVBox Install se ajusta la intensidad de la corriente máxima admisible. Asegúrese de que el ajuste de la app se corresponda con la intensidad de la corriente máxima admisible de la instalación del edificio.

En el manual de instrucciones encontrará información sobre la indicación LED de la wallbox.

Información sobre licencias

Para consultar la información sobre licencias de la wallbox, conecte su smartphone con el punto de acceso Wi-Fi de la wallbox. Encontrará el ID y la contraseña de la Wi-Fi en el adhesivo (9). Una vez establecida la conexión, introduzca la dirección web "http://192.168.123.4" en el navegador para ver la información sobre licencias.

Comprobación de la instalación

Realice todas las comprobaciones de la wallbox prescritas para el lugar de instalación.

Esto incluye:

- Accesibilidad de las conexiones de los conductores de protección
- Resistencia de aislamiento
- Impedancia de bucle
- Caída de tensión
- Corriente de disparo y tiempo de activación del interruptor diferencial
- Sentido del campo giratorio

Y demás comprobaciones requeridas por las disposiciones locales.



03F016-23

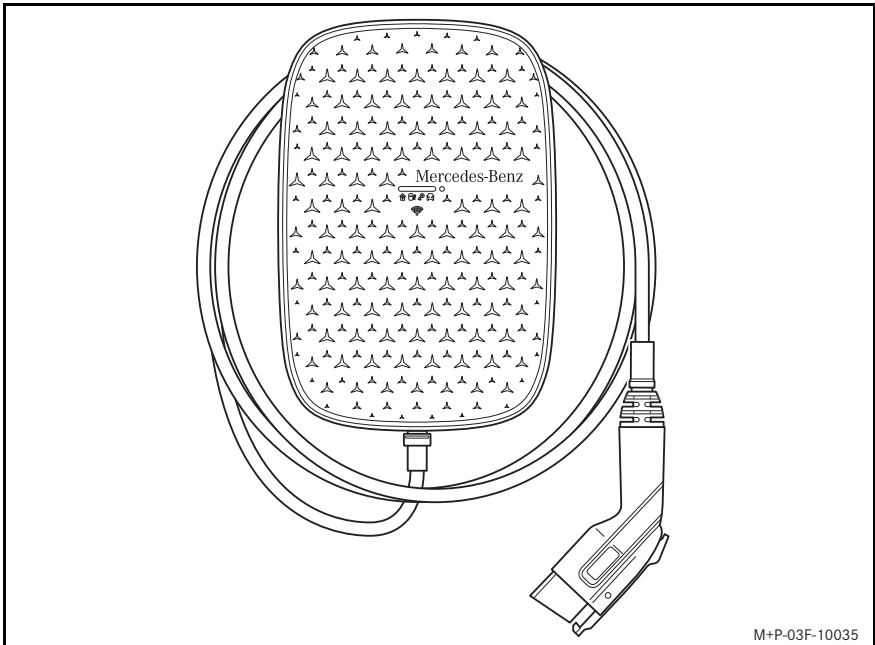
Mercedes-Benz part number: A0009063414

Supplier Article number / Numéro de l'article / Número de artículo: L24871NAB0M



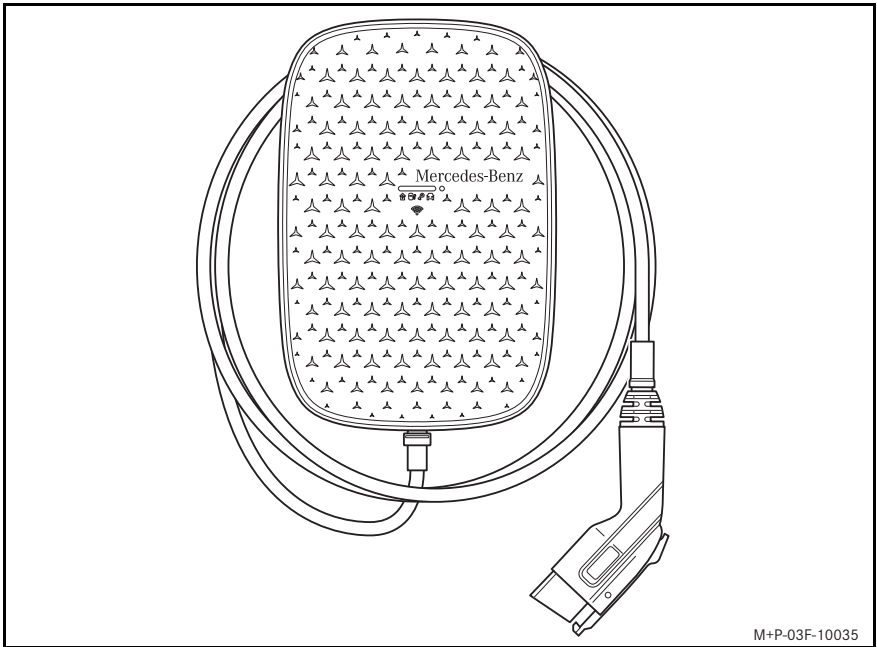
Mercedes-Benz

Operating Instructions for the Mercedes-Benz Wallbox
Notice d'utilisation – Mercedes-Benz Wallbox
Manual de instrucciones de Mercedes-Benz Wallbox



M+P-03F-10035

USA	Operating Instructions for the Mercedes-Benz Wallbox	Page	1
CAN	Notice d'utilisation – Mercedes-Benz Wallbox	Page	9
MEX	Manual de instrucciones de Mercedes-Benz Wallbox	Página	17



M+P-03F-10035

© 2023, Mercedes-Benz AG

Mercedesstr. 120, 70372 Stuttgart, Germany

Reprinting, translating and reproduction, in whole or in part, are not permitted without our prior written consent.

2023/12
03F017-23



Welcome

Before you use your device for the first time, familiarize yourself with it and read these Operating Instructions carefully.

Have the wallbox installed by a qualified electrician.

Also observe the Operator's Manual for your vehicle.

Mercedes-Benz continuously develops its products further and therefore reserves the right to introduce changes to the following:

- Design
- Equipment
- Technical features

Validity

For information on whether or not these Operating Instructions are valid for your vehicle, please consult your Mercedes-Benz Center.

Correct use



WARNING – USING THE CHARGING STATION UNDER CONDITIONS NOT SPECIFIED IN THIS MANUAL MAY RESULT IN DAMAGE TO THE CHARGING STATION, WHICH COULD LEAD TO INJURY OR DEATH.

Use the charging station only under the operating conditions specified in this manual.

The Mercedes-Benz Wallbox has been extensively tested to ensure it functions correctly and is compatible with the current Mercedes-Benz models.

The Mercedes-Benz Wallbox has been developed in accordance with the official IEC 61851 and SAE J1772 standards and can therefore be used to charge other vehicles which meet these standards.

In the case of incorrect use, misuse, abuse or neglect Mercedes-Benz disclaims any liability for damage that may occur and the warranty for the device is rendered invalid.

Symbols

	Read the Operating Instructions thoroughly to familiarize yourself with the product.
	Warning notices draw your attention to hazards that may endanger your health or your life, or the health or life of others.
	Risk of an electric shock if used incorrectly.
	The charging system complies with safety regulations applicable in USA, Mexico and Canada.
	Parts of the charging system that are labeled with this symbol are an integral part of the overall system.
	The device complies with protection class I (protective grounding).
	Alternating current supply symbol.

IMPORTANT SAFETY INSTRUCTIONS

Read all the instructions before using this product.

SAVE THESE INSTRUCTIONS.



WARNING

When using electric products, basic precautions should always be followed, including the following:

INSTRUCTIONS PERTAINING TO RISK OF FIRE OR ELECTRIC SHOCK.



CAUTION – IMPROPER USAGE OF THE CHARGING STATION MAY RESULT IN DAMAGE TO THE CHARGING STATION, WHICH MAY CAUSE INJURY OR DEATH.

Read this manual before using the charging station.

Do not allow children to operate or play with the charging station. Adult supervision is required when children can access a charging station that is in use.

Do not put fingers into the electric vehicle connector.



DANGER – RISK OF FATAL INJURY FROM ELECTRIC VOLTAGE

Do not repair or make any changes to the parts of the wallbox. Never open the wallbox housing.



DANGER – OPERATING THE CHARGING STATION WHEN IT IS DAMAGED OR WORN WILL RESULT IN THE RISK OF ELECTRIC SHOCK, WHICH WILL CAUSE SEVERE INJURY OR DEATH.

Do not operate the charging station if the power supply, the enclosure or an EV connector is broken, cracked, open, or shows any other indication of damage.

Do not operate the charging station if a charging cable is frayed, has broken insulation, or shows any other indication of damage.

In the event of danger and/or an accident, have the electrical supply to the charging station disconnected immediately.

Contact your installer if you suspect that the charging station is damaged.



WARNING – INCORRECT USE OF THE CHARGING STATION WILL RESULT IN THE RISK OF ELECTRIC SHOCK, WHICH MAY CAUSE INJURY OR DEATH

Make sure that the contact area of the charging plug is free from dirt and moisture before starting a charging session.

Make sure that the charging cable is positioned so that it will not be stepped on, tripped over, driven over, or otherwise subjected to excessive force or damage. Where applicable, make sure that the charging cable is correctly stowed when it is not in use, making sure that the charging plug does not touch the ground.

Only pull on the charging plug hand grip and never on the charging cable itself.

Keep the charging station, charging cable and charging plug away from heat sources, dirt, and water.



CAUTION – PUTTING FINGERS INTO OR LEAVING OTHER OBJECTS INSIDE THE PLUG PORT (FOR EXAMPLE, DURING CLEANING) MAY CAUSE INJURY OR CAN DAMAGE THE CHARGING STATION.

Do not put your fingers into the plug port.

Do not leave objects inside the plug port.



WARNING – USING ADAPTERS, CONVERSION ADAPTERS, OR CORD EXTENSIONS WITH THE CHARGING STATION MAY RESULT IN TECHNICAL INCOMPATIBILITIES AND CAN RESULT IN DAMAGE TO THE CHARGING STATION, WHICH WILL CAUSE INJURY OR DEATH.

Use this charging station to charge compatible electric vehicles only.

Refer to the charging stations specifications in the charging station installation manual for details.

Refer to your vehicle user manual for additional instructions.



WARNING

This product can expose you to chemicals including Bisphenol-A (BPA), which are known to the State of California to cause birth defects or other reproductive harm. For more information go to www.p65warnings.ca.gov.



DANGER – RISK OF FATAL INJURY FROM WATER IN PARTS OF THE WALLBOX

Make sure that parts of the wallbox are not permanently subjected to contact with water, water intrusion or any effects of water.

There is a risk of an electric shock.

- Make sure that the charging cable plug is not lying in water (e.g. in a puddle).
- Do not subject the wallbox to a direct jet of water.

Cleaning instructions



CAUTION – DO NOT USE AGGRESSIVE CHEMICAL CLEANERS OR SOLVENTS TO CLEAN THE CHARGING STATION.

Remove dirt and natural organic matter from the outside of the charging station using a damp soft cloth. Make sure that the LED indicator and the light sensor are clean.

Visually check the charging station, the charging cable and the charging plug. If you suspect that the charging station, cable or plug are damaged or dirty, contact a qualified electrician to repair or replace the damaged components.

Gently pull on the charging station to make sure it is still securely attached. Make sure that the station outer cover is secure. If the charging station or the cover is loose, contact a qualified electrician to correctly re-install the station.

Instructions on first time use

The Mercedes-Benz Wallbox can be used to charge any vehicle with a J1772 charging port. Charging speeds will vary by make and model based on battery capacity. You may be eligible for a home charger rebate. Please check with your local utility company for the latest incentives.

Please adhere the QR code sticker that came with the wallbox to the back of this manual for future reference. Do not throw the sticker away!

Maintenance by user

The user of the charging station is responsible for the condition of the charging station, whereby both the law regarding the safety of persons, animals, and property must be observed, as well as the installation regulations in force in the country of use.

Have the charging station and its installation inspected by a qualified electrician on a regular basis and in

compliance with installation regulations applicable in your country.

Setting up the wallbox

During installation, use the EVBox Install app to connect your wallbox to Wi-Fi so that you can pair the wallbox to your Mercedes me connect app to use the built-in connectivity features. Once your electrician configures the electrical settings in the EVBox Install app, please do not modify the settings. After the electrician finishes their configuration, connect your wallbox by selecting your Wi-Fi network and logging in with its password.

For more details on setting up the wallbox, reference the Installation Manual.

The internet connection settings can be changed through either EVBox Install app or through logging into the Wallbox internet portal, see instructions below. If changing the internet settings through the EVBox install app, you may have to re-enter the electrical settings for the wallbox.

Changing the Internet connection

If you change the password of your Wi-Fi router or set up a new Wi-Fi network, the wallbox will be disconnected from the Internet.

To reconnect the wallbox to the Internet, proceed as follows:

- ▶ Open the Wi-Fi settings on your computer or smartphone.
The wallbox ID EVB-500-XXX-XXX is displayed as a connection option.
- ▶ Establish the Wi-Fi connection.
The Wi-Fi password can be found on the sticker on the back of these instructions.
- ▶ Open the Internet browser on your computer or smartphone and enter <http://192.168.123.4> in the address bar.
The "My charging station" page opens.
- ▶ Select "Access station settings".
- ▶ Enter the station key.
The station key can be found on the sticker on the back of these instructions.
- ▶ Select "Internet connection".
- ▶ Select "Wi-Fi" at the bottom under "Other connection options".
- ▶ Select "Add Wi-Fi network" to add a Wi-Fi connection.
- ▶ Enter the Wi-Fi password and confirm.
- ▶ Select "Dashboard".

Once the connection has been established, the "online" notification is displayed.

Examples of the display on the smartphone can be found at the end of these instructions.

Showing license information

To access the license information, you must connect your smartphone or computer to the Wi-Fi hotspot of the wallbox.

- ▶ Open the Wi-Fi settings on your computer or smartphone.
The wallbox ID EVB-500-XXX-XXX is displayed as a connection option.
- ▶ Establish the Wi-Fi connection.
The Wi-Fi password can be found on the sticker on the back of these instructions.
- ▶ Open the Internet browser on your computer or smartphone and enter <http://192.168.123.4> in the address bar.
The "My charging station" page opens.
The software license information can be found at the bottom of this page.

Connecting the wallbox with Mercedes me connect*



After installing the wallbox and connecting to wireless internet, you can connect your wallbox with Mercedes me connect in order to be able to use the following additional remote functions:

- Schedule, start, and stop the charging process
- Overview of the current state of charge as well as the charging history
- Activate the wallbox for other users
- Enable access protection by activating the RFID card
- Activate new functions via online firmware updates

*To use the remote functions of your wallbox, you are required to use your personal Mercedes me connect ID and must agree to the Terms of Use for the Mercedes me connect services.

Adding the wallbox to Mercedes me connect

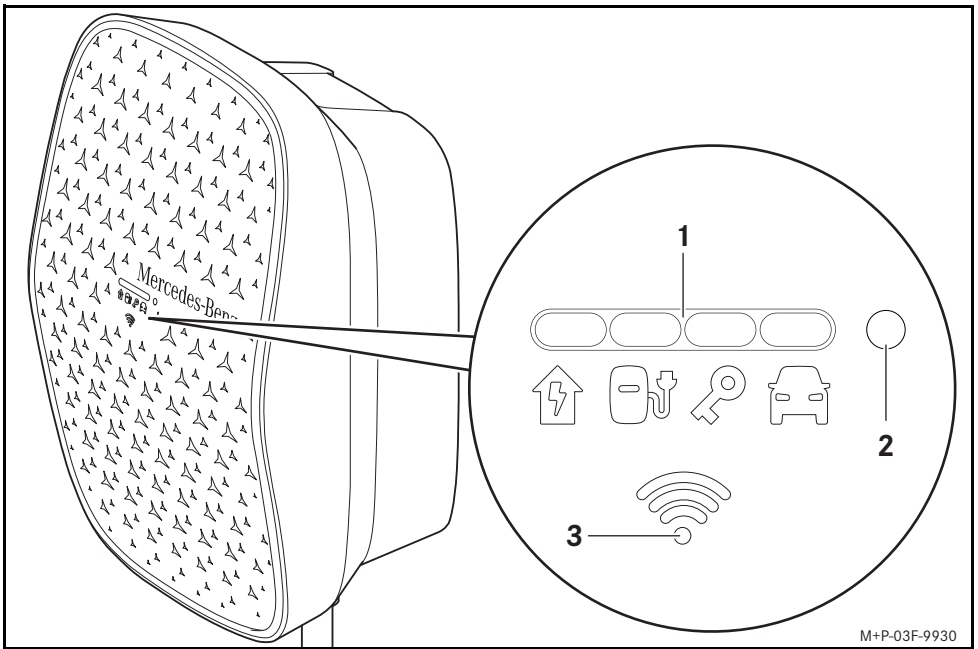
- ▶ Download the Mercedes me connect app on your device.
- ▶ In the app, select Mercedes-Benz Wallbox from the settings menu located in the top left corner
- ▶ Pair the wallbox by following the instructions in the app. The wallbox can only be added to one Mercedes me connect account, but you can share access to other users.
- ▶ Use the same QR code for pairing to EVBox Install app and the Mercedes me connect app.

If you change your WiFi password on your router after connecting the wallbox, you must update the password in the internet settings of the EVBox Install app or the web portal. See instructions (▶page 3).

Notes on decommissioning

Please note that only a qualified electrician may disassemble the wallbox.

Once it has been connected to the power supply, the wallbox is switched on permanently. You can only disconnect the wallbox from the power supply using an appropriate automatic circuit breaker.



M+P-03F-9930

Overview of wallbox

1 LED display

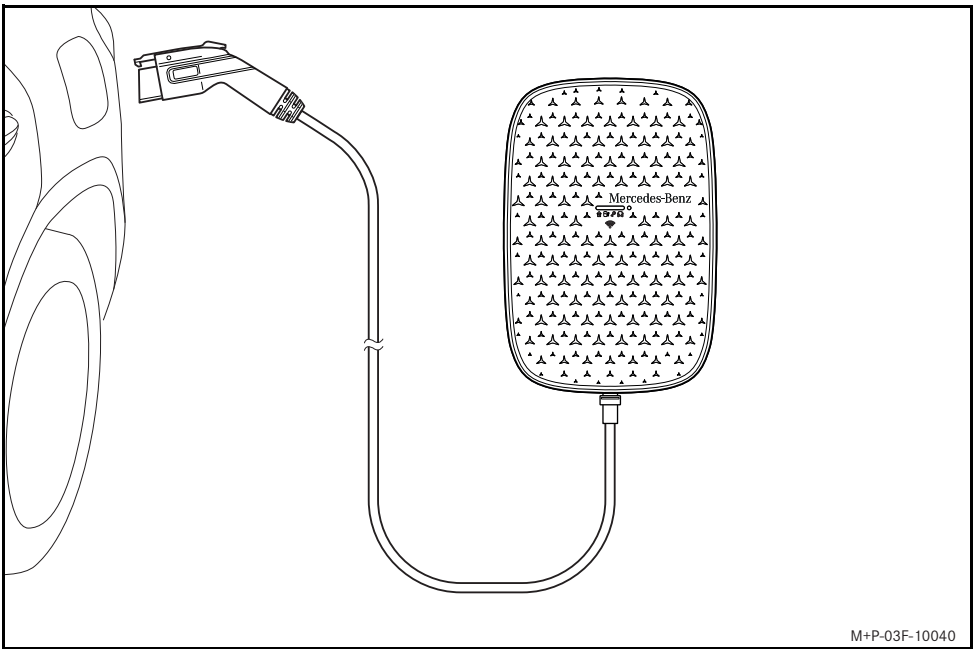
2 Light sensor

3 Area for RFID activation

LED display (1) indicates the current status of the wallbox using four LEDs (►page 7).

Light sensor (2) measures the light intensity and automatically adjusts the brightness of LED display (1).

Area (3) is used for activating the wallbox with an RFID-charging card.



M+P-03F-10040

OPERATING INSTRUCTIONS

Starting the charging process

Depending on the wallbox configuration, RFID activation of the device is required in order to start the charging process.

When charging make sure that the charging cable is not taut and is fully unwound.

- ▶ Park the vehicle next to the wallbox.
- ▶ Open the socket flap on the vehicle (see the vehicle Operator's Manual).
- ▶ Remove the cover cap from the charging cable plug and insert the charging cable plug in to the vehicle socket as far as it will go.

Optional:

- ▶ Hold the wallbox RFID card up to area (3) to activate the wallbox if you have access protection enabled.

Charging starts automatically. The LEDs in LED display (1) light up blue in succession from left to right.

If the charging process does not start automatically observe the color of LED display (1) and its meaning (▶ page 7).

Pairing the RFID card to the wallbox

When you enable wallbox access protection, you can unlock the box with the app or RFID card. To activate the RFID card that came with the wallbox, follow these steps:

- ▶ Pair the wallbox RFID card in RFID card management settings in the Mercedes me connect app.
- ▶ Turn on the toggle in the access protection settings to activate.
- ▶ Once access protection is turned on, the wallbox must be unlocked with the RFID card or through the Mercedes me connect app. This feature also enables you to set a charging schedule.

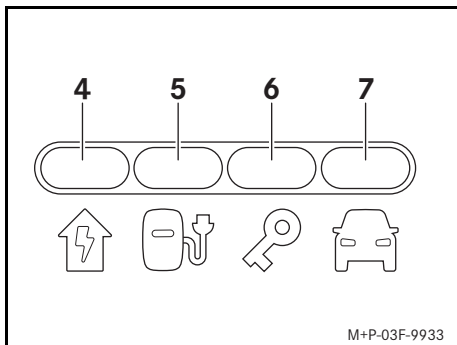
Ending the charging process

- ▶ Optional: Hold the wallbox RFID card up to area (3) to end the charging process.
- ▶ End the charging process at the vehicle (see the vehicle Operator's Manual) or through the Mercedes me connect app.
- ▶ Press the release catch on the charging cable plug and remove the charging cable plug from the vehicle socket.
- ▶ Place the cover cap on the charging cable plug.

- ▶ Loosely wind the charging cable around the wallbox.
Make sure that the charging cable plug is at least 600 mm (24 in) away from the floor.

For more information, watch the Mercedes-Benz Wallbox & Installation video on [youtube.com/@mbusa](https://www.youtube.com/@mbusa) in the How-To Video section.

Meaning of the LED display



White LED	Description
All LEDs pulse white from left to right	The wallbox is starting or an update is being downloaded.
LED (5) flashes white twice	The wallbox must be configured by an electrician through the install app.
All LEDs light up white	The wallbox is being configured.

Green LED	Description
All LEDs light up green	The wallbox is operational.
LED (6) flashes green twice	The wallbox must be activated using the Mercedes-Benz supplied RFID card or the Mercedes me App.
All LEDs pulse green from left to right	Activation of the wallbox is in progress.
LED (7) flashes green twice	Connect the vehicle and charging station using the charging cable. Make sure that the charging cable plug is inserted in the socket as far as it will go.

Blue LED	Description
All LEDs light up blue in succession from left to right	The vehicle is being charged.
All LEDs light up blue	The charging process has been interrupted by the vehicle (see the vehicle Operator's Manual).
LED (4) lights up blue	The charging process has been interrupted because the power supply is insufficient. The charging process will be continued automatically.

Orange LED	Description
All LEDs light up orange in succession from left to right	The charging power has been reduced as the temperature of the wallbox is too high.
LED (4) or LED (7) lights up orange	The charging process has been interrupted. The charging process will be continued automatically.
LED (5) lights up orange	The charging process has been interrupted. The wallbox is cooling down. The charging process will be continued automatically.

Red LED	Description
LED (5) lights up red	Charging process failed. Disconnect the vehicle from the wallbox and try again.
LED (6) lights up red	Activation failed. If the fault persists for longer than five seconds, communication between the wallbox and online-services is no longer possible.
LED (7) lights up red	Charging process failed. Disconnect the vehicle from the wallbox and try again. If the fault occurs again, the vehicle and wallbox are incompatible.
All LEDs light up red	If the wallbox restarts, after a software update for example, all of the LEDs light up red for 1 to 2 minutes. This process is of no consequence and can be ignored. If the LEDs light up red permanently the wallbox is malfunctioning. Disconnect the power supply to the wallbox immediately and contact a qualified electrician.

Problems with the wallbox

If errors occur repeatedly when using the wallbox or you are unsure about the operational safety of the wallbox, stop using the charging system and contact Mercedes-Benz USA Customer Support at:
855-502-3851

Please be ready to provide the wallbox ID, which can be found on the QR code sticker or in the Mercedes-Benz Wallbox section of the Mercedes me connect app.

(EVB-###-###-###)



Bienvenue

Nous vous recommandons de lire attentivement cette notice d'utilisation et de vous familiariser avec votre appareil avant de l'utiliser pour la première fois.

Confiez l'installation de la Wallbox à un électricien.

Consultez également la notice d'utilisation de votre véhicule.

Mercedes-Benz développe continuellement ses produits et se réserve le droit de modifier les points suivants:

- Forme
- Equipement
- Solutions techniques

Validité

Pour connaître les modèles auxquels les instructions de montage se rapportent, adressez-vous à un point de service Mercedes-Benz.

Utilisation conforme



ATTENTION – L'UTILISATION DE LA BORNE DE RECHARGE DANS DES CONDITIONS NON SPÉCIFIÉES DANS LA PRÉSENTE NOTICE RISQUE D'ENDOMMAGER LA BORNE DE RECHARGE, CE QUI PEUT ENTRAÎNER DES BLESSURES OU LA MORT.

Utilisez la borne de recharge uniquement dans les conditions de fonctionnement spécifiées dans la présente notice.

La compatibilité et le fonctionnement de la Mercedes-Benz Wallbox ont été testés avec les modèles actuels de Mercedes-Benz.

La Mercedes-Benz Wallbox a été développée selon les normes officielles IEC 61851 et SAE J1772 et peut donc également être utilisée pour charger d'autres véhicules qui répondent à ces normes.

En cas d'utilisation non conforme, Mercedes-Benz décline toute responsabilité pour les dommages subis et la garantie de l'appareil est annulée.

Symboles

	Lisez attentivement la notice d'utilisation pour vous familiariser avec l'appareil.
	Les avertissements servent à attirer votre attention sur les situations pouvant mettre en danger votre santé ou votre vie ou pouvant mettre en danger la santé ou la vie d'autres personnes.
	Risque de décharge électrique en cas d'utilisation non conforme.
	Le système de charge est conforme aux dispositions en matière de sécurité en vigueur aux Etats-Unis, au Mexique et au Canada.
	Les éléments du système de charge marqués de ce symbole font partie intégrante de l'ensemble du système.
	L'appareil dispose d'une classe de protection I (protection par mise à la terre).
	Symbole d'alimentation en courant alternatif.

INSTRUCTIONS IMPORTANTES CONCERNANT LA SÉCURITÉ CONSERVER CES INSTRUCTIONS.



AVERTISSEMENT

Lors de l'utilisation de produits électriques, les précautions suivantes doivent toujours être suivies, notamment les suivantes :

RISQUE DE CHOC ÉLECTRIQUE.



ATTENTION – UNE UTILISATION NON CONFORME DE LA BORNE DE RECHARGE RISQUE DE L'ENDOMMAGER, CE QUI PEUT ENTRAÎNER DES BLESSURES OU LA MORT.

Lisez la présente notice d'utilisation avant d'utiliser la borne de recharge.

Ne laissez pas les enfants utiliser la borne de recharge ou jouer avec elle. La surveillance d'un adulte est requise lorsque des enfants peuvent accéder à une borne de recharge en cours d'utilisation.

Ne mettez pas vos doigts dans le connecteur du véhicule électrique.



DANGER – DANGER DE MORT DÙ À LA TENSION ÉLECTRIQUE

N'effectuez aucune modification ni réparation sur les pièces de la Wallbox. N'ouvrez jamais le boîtier de la Wallbox.



DANGER – L'UTILISATION DE LA BORNE DE RECHARGE LORSQU'ELLE EST ENDOMMAGÉE OU USÉE ENTRAÎNE UN RISQUE D'ÉLECTROCUTION, QUI PEUT PROVOQUER DES BLESSURES GRAVES, VOIRE MORTELLES.

N'utilisez pas la borne de recharge si l'alimentation en tension, le boîtier ou un connecteur pour VE est cassé, fissuré, ouvert ou présente tout autre signe de dommage.

N'utilisez pas la borne de recharge si un câble de charge est effiloché, si son isolation est abîmée ou s'il présente tout autre signe de dommage.

En cas de danger et/ou d'accident, faites immédiatement couper l'alimentation électrique de la borne de recharge.

Contactez votre installateur si vous suspectez que la borne de recharge est endommagée.



ATTENTION – UNE UTILISATION INCORRECTE DE LA BORNE DE RECHARGE ENTRAÎNE UN RISQUE DE CHOC ÉLECTRIQUE, QUI PEUT PROVOQUER DES BLESSURES OU LA MORT

Assurez-vous que la zone de contact de la fiche de charge est exempte de saleté et d'humidité avant de commencer une session de charge.

Veillez à ce que le câble de charge soit placé de manière à ce que personne ne marche dessus, ne trébuche ou ne roule dessus et qu'il ne soit pas soumis à une force excessive ou endommagé. Le cas échéant, assurez-vous que le câble de charge est correctement rangé lorsqu'il n'est pas utilisé, en veillant à ce que la fiche de charge ne touche pas le sol.

Tirez uniquement sur la poignée de la fiche de charge et jamais sur le câble de charge lui-même.

Conservez la borne de recharge, le câble de charge et la fiche de charge à l'abri des sources de chaleur, de la saleté et de l'eau.



ATTENTION – SI VOUS METTEZ VOS DOIGTS OU SI VOUS LAISSEZ DES OBJETS DANS LE PORT DE LA FICHE (PAR EXEMPLE, PENDANT LE NETTOYAGE), VOUS RISQUEZ DE VOUS BLESSER OU D'ENDOMMAGER LA BORNE DE RECHARGE.

Ne mettez pas vos doigts dans le port de la fiche.

Ne laissez pas d'objets à l'intérieur du port de la fiche.



ATTENTION – L'UTILISATION D'ADAPTATEURS, D'ADAPTATEURS DE CONVERSION OU DE RALLONGES AVEC LA BORNE DE RECHARGE PEUT ENTRAÎNER DES INCOMPATIBILITÉS TECHNIQUES ET ENDOMMAGER LA BORNE DE RECHARGE, CE QUI PEUT PROVOQUER DES BLESSURES OU LA MORT.

Utilisez cette borne de recharge pour charger uniquement les véhicules électriques compatibles.

Reportez-vous aux spécifications de la borne de recharge qui figurent dans la notice d'installation de la borne de recharge pour plus de détails.

Reportez-vous à la notice d'utilisation de votre véhicule pour de plus amples instructions.



DANGER – DANGER DE MORT DÙ À L'INFILTRATION D'EAU DANS CERTAINES PIÈCES DE LA WALLBOX

Veillez à ce que les pièces de la Wallbox ne soient pas exposées en permanence à l'eau.

Il y a un risque de décharge électrique.

- Assurez-vous que la fiche de câble de charge ne se trouve pas dans l'eau (par exemple, dans une flaque d'eau).
- N'exposez pas la Wallbox à un jet d'eau direct.

Consignes de nettoyage



ATTENTION – N'UTILISEZ PAS DE NETTOYANTS CHIMIQUES AGRESSIFS OU DE SOLVANTS POUR NETTOYER LA BORNE DE RECHARGE.

Retirez la saleté et les matières organiques naturelles de l'extérieur de la borne de recharge à l'aide d'un chiffon doux et humide. Assurez-vous que l'indicateur LED et le capteur de luminosité sont propres.

Vérifiez de manière visuelle l'état de la borne de recharge, du câble de charge et de la fiche de charge. Si vous suspectez que la borne de recharge, le câble ou la fiche sont endommagés ou sales, contactez un électricien qualifié pour réparer ou remplacer les éléments endommagés.

Tirez doucement sur la borne de recharge pour vous assurer qu'elle est toujours bien fixée.

Assurez-vous que le cache extérieur de la borne est bien fixé. Si la borne de recharge ou le cache est mal fixé, contactez un électricien qualifié pour réinstaller correctement la borne.

Remarques relatives à la mise en service

Dans la plupart des pays, la mise en service d'un dispositif de recharge doit être déclarée et/ou autorisée. Par conséquent, contactez votre fournisseur d'énergie avant la mise en service.

Le propriétaire est responsable du respect des réglementations locales régissant l'utilisation d'un dispositif de recharge.

Maintenance par l'utilisateur

L'utilisateur de la borne de recharge est responsable de l'état de la borne de recharge. Il doit respecter la législation relative à la sécurité des personnes, des animaux et des biens, ainsi que les règles d'installation en vigueur dans le pays d'utilisation.

Faites contrôler régulièrement la borne de recharge et son installation par un électricien qualifié, conformément aux règles d'installation en vigueur dans votre pays.

Remarques relatives à la mise hors service

Notez que le démontage de la Wallbox ne peut être effectué que par un électricien.

La Wallbox est allumée en permanence après le raccordement à l'alimentation électrique. Vous pouvez uniquement mettre la Wallbox hors tension à l'aide du disjoncteur correspondant.

Modification de la connexion Internet

Si vous modifiez le mot de passe de votre routeur Wi-Fi ou si vous configurez un nouveau Wi-Fi, la Wallbox sera déconnectée d'Internet.

Pour reconnecter la Wallbox à Internet, procédez comme suit :

- ▶ Ouvrez les réglages Wi-Fi sur votre ordinateur ou votre smartphone.

L'ID de la Wallbox EVB-500-XXX-XXX s'affiche comme option de connexion.

- ▶ Etablissez la connexion Wi-Fi.

Vous trouverez le mot de passe Wi-Fi sur l'autocollant au dos de cette notice d'utilisation.

- ▶ Ouvrez le navigateur Internet de votre ordinateur ou de votre smartphone et saisissez <http://192.168.123.4> dans la barre d'adresse.

La page « My charging station » s'ouvre.

- ▶ Sélectionnez « Access station settings ».
- ▶ Saisissez la clé de la station (« Station key »).
Vous trouverez la clé de la station sur l'autocollant au dos de cette notice d'utilisation.
- ▶ Sélectionnez « Internet connection ».
- ▶ Sous « Other connection options » en bas, sélectionnez l'option « Wi-Fi ».
- ▶ Sélectionnez « Add Wi-Fi network » pour ajouter une connexion Wi-Fi.
- ▶ Entrez et confirmez le mot de passe Wi-Fi.
- ▶ Sélectionnez « Dashboard ».

Lorsque la connexion est établie, la notification « online » s'affiche.

Vous trouverez des exemples d'affichage sur le smartphone à la fin de cette notice d'utilisation.

Affichage des informations sur les licences

Pour pouvoir consulter les informations sur les licences, vous devez connecter votre smartphone ou votre ordinateur au point d'accès Wi-Fi de la Wallbox.

- ▶ Ouvrez les réglages Wi-Fi sur votre ordinateur ou votre smartphone.

L'ID de la Wallbox EVB-500-XXX-XXX s'affiche comme option de connexion.

- ▶ Etablissez la connexion Wi-Fi.

Vous trouverez le mot de passe Wi-Fi sur l'autocollant au dos de cette notice d'utilisation.

- ▶ Ouvrez le navigateur Internet de votre ordinateur ou de votre smartphone et saisissez <http://192.168.123.4> dans la barre d'adresse.

La page « My charging station » s'ouvre.

Vous trouverez les informations relatives à la licence du logiciel en bas de cette page.

Connexion de la Wallbox à Mercedes me*



Connectez votre Wallbox à Mercedes me pour pouvoir utiliser les fonctions de commande à distance supplémentaires suivantes, par exemple :

- Démarrage et arrêt des processus de charge avec le smartphone
- Aperçu de l'état de charge actuel ainsi que de l'historique de charge
- Activation de la Wallbox pour d'autres utilisateurs
- Mise à jour du firmware
- Activation de nouvelles fonctions via les mises à jour de firmware en ligne

Ajust de la Wallbox à Mercedes me

- ▶ Téléchargez l'application Mercedes me avec votre smartphone ou votre tablette, par exemple.

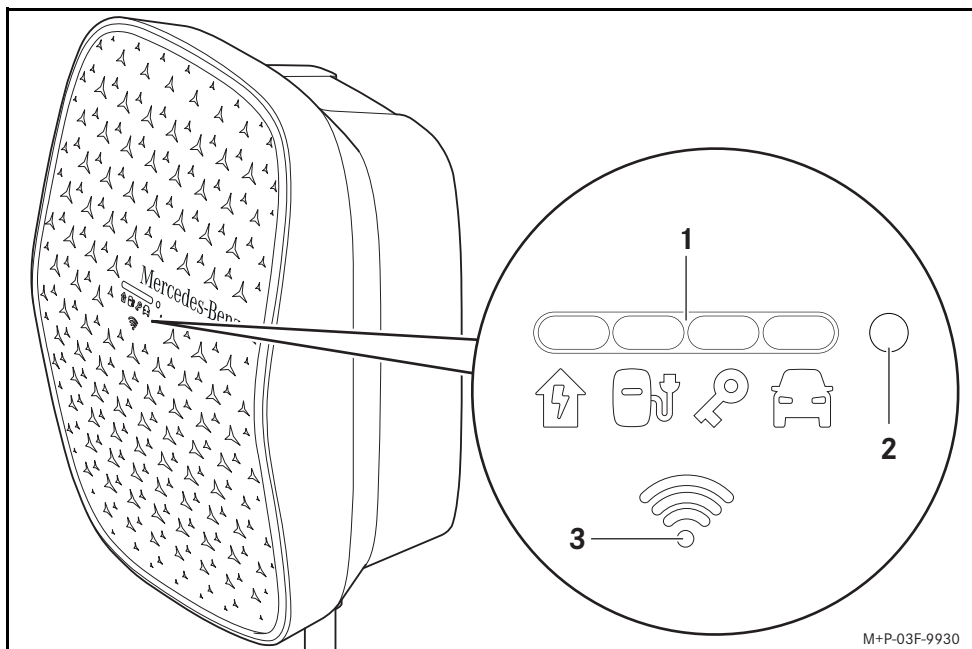
Vous trouverez l'option pour connecter une Mercedes-Benz Wallbox dans le menu Réglages en haut à gauche.

- ▶ Suivez les instructions données par l'application pour connecter votre Wallbox.

Le code QR dont vous avez besoin dans l'application Mercedes me pour activer la Wallbox se trouve sur l'autocollant apposé au dos de la présente notice d'utilisation.

Dans le cas d'une connexion Internet de la Wallbox via Wi-Fi: si le mot de passe Wi-Fi du routeur change, le mot de passe enregistré dans les réglages de la Wallbox doit être actualisé. Contactez votre installateur pour reconfigurer la connexion Wi-Fi à l'aide de l'application EVBox-Install.

*Pour utiliser les fonctions de commande à distance de votre Mercedes-Benz Wallbox, il est nécessaire de disposer d'un Mercedes me ID personnel et d'accepter les conditions d'utilisation des services Mercedes me connect.



M+P-03F-9930

Vue d'ensemble de la Wallbox

1 Affichage LED

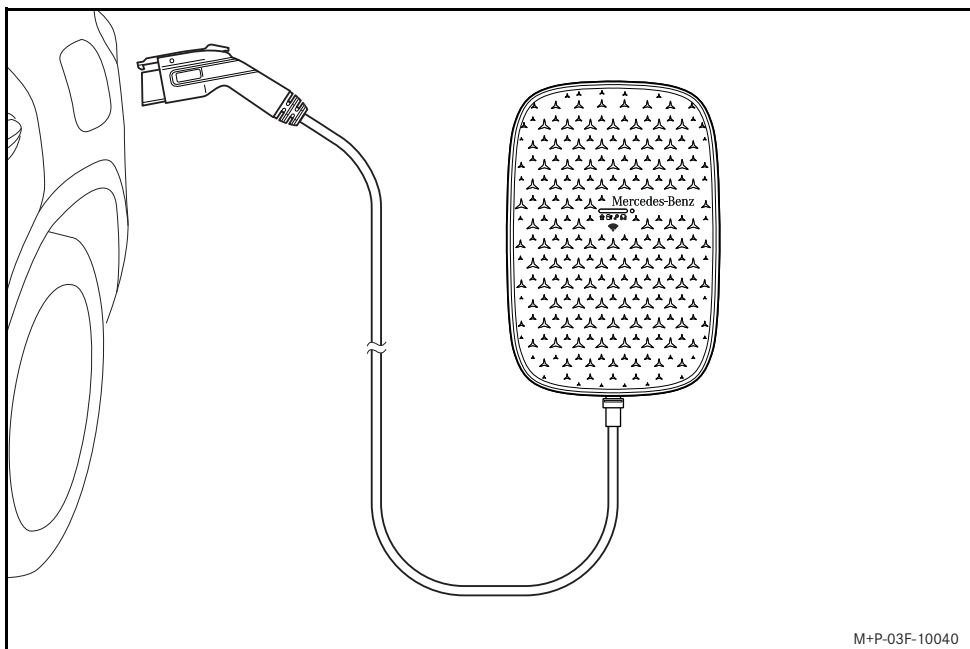
2 Capteur de luminosité

3 Zone d'activation RFID

L'affichage LED (1) indique l'état actuel de la Wallbox au moyen de 4 LED (►page 15).

Le capteur de luminosité (2) mesure l'intensité lumineuse et adapte automatiquement la luminosité de l'affichage LED (1).

La zone (3) sert à activer la Wallbox avec une carte de recharge RFID.



M+P-03F-10040

INSTRUCTIONS D'UTILISATION

Démarrage du processus de charge

En fonction de la configuration de la Wallbox, une activation RFID de l'appareil est nécessaire pour démarrer le processus de charge.

Lors de la charge, veillez à ce que le câble de charge ne soit pas tendu et qu'il soit complètement déroulé.

- ▶ Garez le véhicule près de la Wallbox.
- ▶ Ouvrez le volet de prise du véhicule (voir la notice d'utilisation du véhicule).
- ▶ Retirez le capuchon de la fiche de câble de charge et introduisez la fiche de câble de charge jusqu'en butée dans la prise du véhicule.

En option :

- ▶ Maintenez la carte de recharge Mercedes-Benz contre la zone (3) pour activer la Wallbox.

Le processus de charge démarre automatiquement.

Les LED de l'affichage LED (1) s'allument successivement en bleu de gauche à droite.

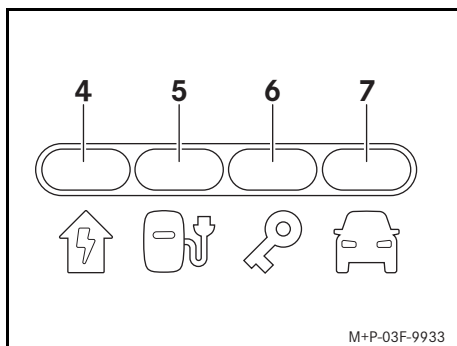
Si le processus de charge ne démarre pas automatiquement, tenez compte de la signification de l'affichage LED (1) en fonction de la couleur (▶page 15).

Arrêt du processus de charge

- ▶ En option : maintenez la carte de recharge Mercedes-Benz contre la zone (3) pour arrêter le processus de charge.
- ▶ Arrêtez le processus de charge au niveau du véhicule (voir la notice d'utilisation du véhicule).
- ▶ Appuyez sur le déverrouillage de la fiche de câble de charge et retirez la fiche de câble de charge de la prise du véhicule.
- ▶ Placez le capuchon de protection sur la fiche de câble de charge.
- ▶ Enroulez le câble de charge autour de la Wallbox sans trop serrer.

Veillez à ce que la fiche de câble de charge se trouve à une distance d'au moins 600 mm (24 in) du sol.

Signification de l'affichage LED



LED blanche	Description
Toutes les LED pulsent en blanc de gauche à droite	La Wallbox est en cours de démarrage ou une mise à jour est en cours de téléchargement.
La LED (5) clignote 2 fois en blanc	La Wallbox doit être configurée par un électricien.
Toutes les LED sont allumées en blanc	La Wallbox est en cours de configuration.

LED verte	Description
Toutes les LED sont allumées en vert	La Wallbox est opérationnelle.
La LED (6) clignote 2 fois en vert	La Wallbox doit être activée à l'aide de la carte de recharge Mercedes-Benz ou de l'application Mercedes me.
Toutes les LED pulsent en vert de gauche à droite	L'activation de la Wallbox est en cours.
La LED (7) clignote 2 fois en vert	Connectez le véhicule et la borne de recharge avec le câble de charge. Veillez à ce que la fiche de câble de charge soit introduite jusqu'en butée dans la prise.

LED bleue	Description
Toutes les LED s'allument successivement en bleu de gauche à droite	Le véhicule est en cours de charge.

LED bleue	Description
Toutes les LED sont allumées en bleu	Le processus de charge a été interrompu par le véhicule (voir la notice d'utilisation du véhicule).
La LED (4) est allumée en bleu	Le processus de charge a été interrompu en raison d'une alimentation électrique insuffisante. Le processus de charge se poursuit automatiquement.

LED orange	Description
Toutes les LED s'allument successivement en orange de gauche à droite	La puissance de charge a été réduite en raison de la température élevée de la Wallbox.
La LED (4) est allumée en orange	Interruption du processus de charge. Le processus de charge se poursuit automatiquement.
La LED (5) est allumée en orange	Interruption du processus de charge. La Wallbox refroidit. Le processus de charge se poursuit automatiquement.

LED rouge	Description
La LED (5) est allumée en rouge	Echec du processus de charge. Débranchez le véhicule et réessayez.
La LED (6) est allumée en rouge	Echec de l'activation. Si le défaut persiste pendant plus de 5 secondes, aucune communication n'est possible entre la Wallbox et les services en ligne.
La LED (7) est allumée en rouge	Echec du processus de charge. Débranchez le véhicule et réessayez. Si le défaut se reproduit, le véhicule et la Wallbox ne sont pas compatibles.
Toutes les LED sont allumées en rouge	Lorsque la Wallbox effectue un redémarrage, par exemple après une mise à jour de logiciel, toutes les LED s'allument en rouge pendant 1 à 2 minutes. Ce processus est anodin et peut être ignoré. Si les LED restent allumées en rouge, cela signifie que la Wallbox présente un défaut. Coupez immédiatement l'alimentation électrique de la Wallbox et contactez un électricien.

Problèmes liés à la Wallbox

Si des défauts se répètent lors de l'utilisation de la Wallbox ou si vous n'êtes pas sûr de la sécurité de fonctionnement de la Wallbox, cessez d'utiliser le système de charge et contactez :

- votre concessionnaire Mercedes-Benz
ou
- votre service clientèle Mercedes-Benz local



Le damos la bienvenida

Lea detenidamente este manual de instrucciones y familiarícese con el uso de su dispositivo.

Encargue la instalación de la wallbox a un electricista.

Tenga en cuenta además el manual de instrucciones del vehículo.

Mercedes-Benz continúa desarrollando sus productos permanentemente y, por tanto, se reserva el derecho a introducir modificaciones en los siguientes puntos:

- Forma
- Equipamiento
- Técnica

Validez

En cualquier punto de servicio Mercedes-Benz puede obtener información sobre la validez para cada modelo respectivo.

Utilización según las normas



ADVERTENCIA – EL USO DE LA ESTACIÓN DE CARGA EN CONDICIONES NO ESPECIFICADAS EN ESTE MANUAL PUEDE PROVOCAR DAÑOS EN LA ESTACIÓN DE CARGA, LO QUE PUEDE CAUSAR LESIONES O INCLUSO LA MUERTE.

Use la estación de carga exclusivamente en las condiciones de funcionamiento especificadas en este manual.

La compatibilidad y el funcionamiento de Mercedes-Benz Wallbox se ha comprobado con los modelos Mercedes-Benz actuales.

Mercedes-Benz Wallbox ha sido desarrollada según las normas oficiales CEI 61851 y SAE J1772; por tanto, puede usarse también para cargar otros vehículos que cumplan dichas normas.

En caso de un uso no previsto, Mercedes-Benz declina toda responsabilidad por los daños causados y la garantía del dispositivo se extingue.

Símbolos

	Lea detenidamente este manual de instrucciones para familiarizarse con el producto.
	Las indicaciones de advertencia le advierten de posibles peligros para su salud o su vida o para la de otras personas.
	Peligro de descarga eléctrica en caso de uso incorrecto.
	El sistema de carga cumple las disposiciones de seguridad vigentes en EE. UU., México y Canadá.
	Las piezas del sistema de carga identificadas con este símbolo forman parte del sistema completo.
	El dispositivo dispone de la clase de protección I (toma de tierra de protección).
	Símbolo de corriente alterna.

INSTRUCCIONES IMPORTANTES DE SEGURIDAD

GUARDE ESTAS INSTRUCCIONES.



ADVERTENCIA

Al usar productos eléctricos, siempre se deben seguir las siguientes precauciones, incluidas las siguientes:

RIESGO DE DESCARGA ELÉCTRICA.



PRECAUCIÓN – EL USO INDEBIDO DE LA ESTACIÓN DE CARGA PUEDE PROVOCAR DAÑOS EN LA ESTACIÓN DE CARGA, LO QUE PUEDE CAUSAR LESIONES O INCLUSO LA MUERTE .

Lea este manual antes de utilizar la estación de carga.

No deje que los niños manejen o jueguen con la estación de carga. Es necesaria la supervisión de un adulto cuando los niños tengan acceso a una estación de carga en uso.

No ponga los dedos en el conector del vehículo eléctrico.



PELIGRO – PELIGRO DE MUERTE POR TENSIÓN ELÉCTRICA

No modifique ni repare ninguna pieza de la wallbox. Nunca abra la carcasa de la wallbox.



PELIGRO – MANEJAR LA ESTACIÓN DE CARGA CUANDO ESTÁ DAÑADA O DESGASTADA PUEDE PROVOCAR UNA DESCARGA ELÉCTRICA, LO QUE PUEDE CAUSAR LESIONES GRAVES O INCLUSO LA MUERTE.

No maneje la estación de carga si el suministro de corriente, el embalaje o un conector del vehículo eléctrico está roto, agrietado, abierto o presenta alguna otra indicación de daño.

No maneje la estación de carga si un cable de carga está raído, no tiene aislamiento o presenta alguna otra indicación de daño.

En caso de peligro o accidente, desconecte el suministro eléctrico de la estación de carga de inmediato.

Póngase en contacto con su instalador si sospecha que la estación de carga presenta daños.



ADVERTENCIA – EL USO INDEBIDO DE LA ESTACIÓN DE CARGA PUEDE PROVOCAR RIESGO DE DESCARGA ELÉCTRICA, LO QUE PUEDE CAUSAR LESIONES O INCLUSO LA MUERTE

Asegúrese de que el área de contacto del enchufe de carga esté limpio y seco antes de iniciar una sesión de carga.

Asegúrese de que el cable de carga está posicionado de modo que no puedan pisarlo, tropezar con él, conducir sobre él o someterlo de cualquier otro modo a una fuerza o daño excesivo. Cuando sea aplicable, asegúrese de que el cable de carga esté correctamente guardado cuando no esté en uso y compruebe que el enchufe de carga no toque el suelo.

No tire nunca del cable de carga, solo de las asas del enchufe de carga.

Mantenga la estación de carga, el cable de carga y el enchufe de carga alejados de fuentes de calor, suciedad y agua.



PRECAUCIÓN – INTRODUCIR LOS DEDOS O DEJAR OTROS OBJETOS EN EL PUERTO DE CONEXIÓN (POR EJEMPLO, DURANTE LA LIMPIEZA) PUEDE PROVOCAR LESIONES O DAÑAR LA ESTACIÓN DE CARGA.

No introduzca los dedos en el puerto de conexión. No deje objetos en el puerto de conexión.



ADVERTENCIA – EL USO DE ADAPTADORES, ADAPTADORES DE CONVERSIÓN O PROLONGADORES DE CABLE CON LA ESTACIÓN DE CARGA PUEDE PROVOCAR INCOMPATIBILIDADES TÉCNICAS Y CAUSAR DAÑOS A LA ESTACIÓN DE CARGA, QUE PODRÍAN RESULTAR EN LESIONES O INCLUSO LA MUERTE.

Use esta estación de carga solo para cargar vehículos eléctricos compatibles.

Consulte los detalles de las especificaciones de la estación de carga en el manual de instalación de la estación de carga.

Consulte instrucciones adicionales en el manual de instrucciones de su vehículo.



PELIGRO — PELIGRO DE MUERTE POR ENTRADA DE AGUA EN PARTES DE LA WALLBOX

Asegúrese de que ninguna pieza de la wallbox esté expuesta al agua de forma permanente.

Existe peligro de descarga eléctrica.

- Asegúrese de que el conector del cable de carga no esté en el agua (por ejemplo, en un charco).
- No exponga la wallbox a un chorro de agua directa.

Indicaciones para la limpieza



PRECAUCIÓN — NO UTILICE LIMPIADORES O SOLVENTES AGRESIVOS PARA LIMPIAR LA ESTACIÓN DE CARGA.

Retire la suciedad y la materia orgánica natural del exterior de la estación de carga con un paño suave húmedo. Asegúrese de que el indicador LED y el sensor de luz estén limpios.

Compruebe visualmente la estación de carga, el cable de carga y el enchufe de carga. Si sospecha que la estación, el cable o el enchufe de carga están sucios o dañados, póngase en contacto con un electricista cualificado para que repare o sustituya los componentes dañados.

Tire suavemente de la estación de carga para comprobar que está conectada de forma segura. Asegúrese de que la cubierta exterior de la estación está segura. Si la estación de carga o la cubierta están flojas, póngase en contacto con un electricista cualificado para reinstalar correctamente la estación.

Indicaciones sobre la puesta en marcha

En la mayoría de los países, la puesta en servicio de una instalación de carga debe notificarse y/o requiere una autorización. Por ese motivo, póngase en contacto con su proveedor eléctrico antes de la puesta en servicio.

El propietario es responsable del cumplimiento de las normas locales sobre el uso de dispositivos de carga.

Mantenimiento por parte del usuario

El usuario de la estación de carga es responsable del estado de esta y debe tener en cuenta las leyes en materia de seguridad personal, animal y propietaria, así como las directivas en cuanto a instalación vigentes en el país en uso.

Contrate regularmente a un electricista cualificado para que revise la estación de carga y su instalación, de forma que cumpla las regulaciones de instalación aplicables en su país.

Indicaciones sobre la puesta fuera de servicio

Recuerde que del desmontaje de la wallbox solo se debe ocupar un electricista.

Después de su conexión a la alimentación eléctrica, la wallbox está encendida permanentemente. Solo se puede dejar sin tensión la wallbox mediante el fusible automático correspondiente.

Cambio de la conexión a Internet

Si cambia la contraseña de su router Wi-Fi o configura una nueva WLAN, la wallbox se desconectará de Internet.

Para volver a conectar la wallbox a Internet, proceda de la siguiente manera:

- ▶ Abra los ajustes de Wi-Fi en su ordenador o su smartphone.
El ID de wallbox EVB-500-XXX-XXX se muestra entre las opciones de conexión.
- ▶ Establezca la conexión WLAN.
Encontrará la contraseña WLAN en el adhesivo que hay en el reverso de estas Instrucciones de servicio.
- ▶ Abra el navegador de Internet de su ordenador o smartphone e introduzca <http://192.168.123.4> en la línea de dirección.
Se abre la página "My charging station".
- ▶ Seleccione "Access station settings".
- ▶ Introduzca la clave de estación ("Station key").
Encontrará la clave de estación en el adhesivo que hay en el reverso de estas Instrucciones de servicio.
- ▶ Seleccione "Internet connection".
- ▶ En el menú "Other connection options" de la parte inferior, seleccione la opción "Wi-Fi".
- ▶ Seleccione "Add Wi-Fi network" para añadir una conexión WLAN.
- ▶ Introduzca la contraseña WLAN y confírmela.
- ▶ Seleccione "Dashboard".
Cuando se haya establecido la conexión, se mostrará la notificación "online".

Encontrará ejemplos de visualización en el smartphone al final de estas Instrucciones de servicio.

Visualización de la información sobre licencias

Para poder consultar la información sobre licencias, debe conectar su smartphone o su ordenador con el punto de acceso Wi-Fi de la wallbox.

- ▶ Abra los ajustes de Wi-Fi en su ordenador o su smartphone.
El ID de wallbox EVB-500-XXX-XXX se muestra entre las opciones de conexión.
- ▶ Establezca la conexión WLAN.
Encontrará la contraseña WLAN en el adhesivo que hay en el reverso de estas Instrucciones de servicio.
- ▶ Abra el navegador de Internet de su ordenador o smartphone e introduzca <http://192.168.123.4> en la línea de dirección.
Se abre la página "My charging station".
Encontrará la información sobre las licencias del software en la parte inferior de esta página.

Conexión de la wallbox con Mercedes me*



Conecte su wallbox con Mercedes me para, por ejemplo, poder utilizar las siguientes funciones remotas adicionales:

- Inicio y detención del proceso de carga con el smartphone
- Sinopsis del estado de carga general e historial de carga
- Habilitación de la wallbox para otros usuarios
- Actualización del firmware
- Activación de nuevas funciones mediante actualizaciones en línea del firmware

*Para utilizar las funciones remotas de su Mercedes-Benz Wallbox, necesita un identificador personal de Mercedes me y aceptar las condiciones de uso de los servicios de Mercedes me connect.

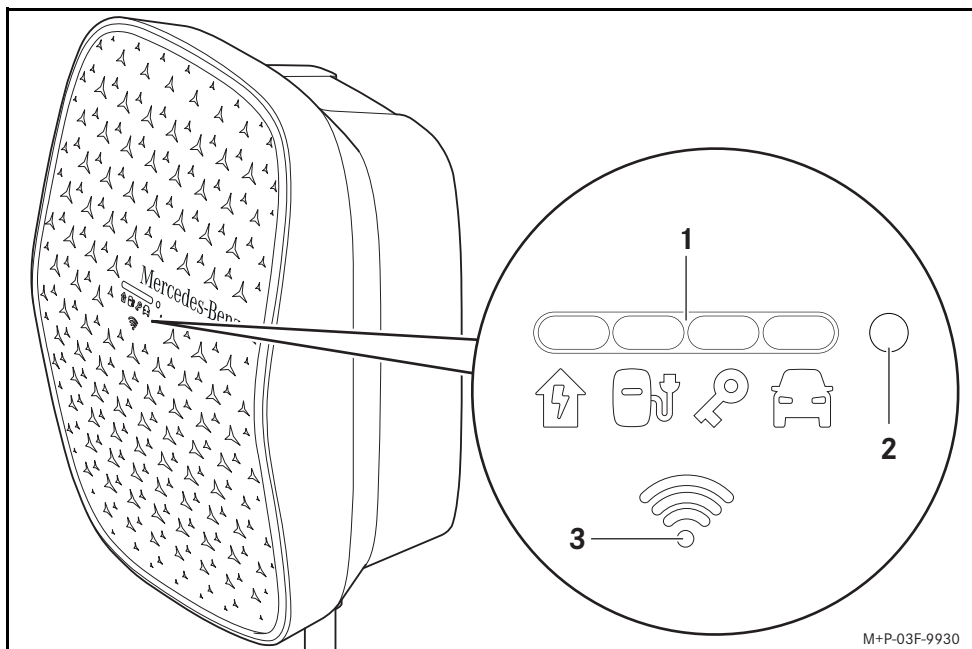
Adición de la wallbox a Mercedes me

- ▶ Descárguese la Mercedes me App, por ejemplo, con su smartphone o tableta.

En el menú de ajustes, en la parte superior izquierda, encontrará la opción de conectar una Mercedes-Benz Wallbox.

- ▶ Siga las indicaciones de la app para conectar su wallbox.
Encontrará el código QR necesario para activar la wallbox en la Mercedes me App en el adhesivo situado en la contraportada de este manual de instrucciones.

Conexión de la wallbox a Internet por WLAN: Si la contraseña de la WLAN del router cambia, hay que actualizar la contraseña registrada en los ajustes de la wallbox. Póngase en contacto con su instalador para reconfigurar la conexión Wi-Fi con ayuda de la aplicación EVBox-Install.



M+P-03F-9930

Sinopsis de la wallbox

1 Indicación LED

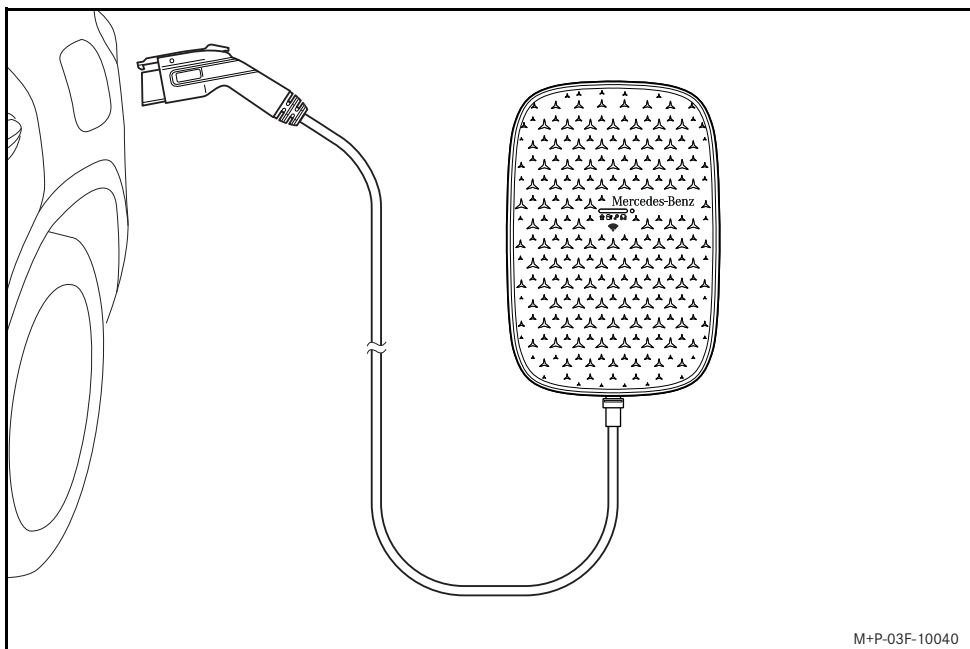
2 Sensor de luminosidad

3 Zona de habilitación de RFID

La indicación LED (1) indica mediante cuatro LED el estado actual de la wallbox (► página 23).

El sensor de luminosidad (2) mide la intensidad luminosa y adecua automáticamente el brillo de la indicación LED (1).

La zona (3) sirve para habilitar la wallbox con una tarjeta de carga RFID.



M+P-03F-10040

INSTRUCCIONES DE FUNCIONAMIENTO

Inicio del proceso de carga

En función de la configuración de la wallbox, puede ser necesaria la habilitación por RFID del dispositivo para iniciar el proceso de carga.

Durante la carga, preste atención a que el cable de carga esté completamente desenrollado y no esté sometido a esfuerzos de tracción.

- ▶ Estacione el vehículo cerca de la wallbox.
- ▶ Abra la tapa de la caja de enchufe del vehículo (vea el manual de instrucciones del vehículo).
- ▶ Retire la tapa protectora del conector del cable de carga y enchufe el conector del cable de carga hasta el tope en la toma de carga del vehículo.

Opcional:

- ▶ Sostenga la tarjeta de carga de Mercedes-Benz en la zona (3) para habilitar la wallbox.

El proceso de carga se inicia automáticamente. Los LED de la indicación LED (1) se iluminan sucesivamente en azul de izquierda a derecha.

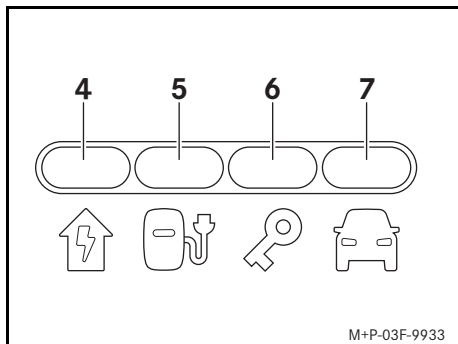
Si el proceso de carga no comienza automáticamente, observe el significado de los colores de la indicación LED (1) (▶ página 23).

Finalización del proceso de carga

- ▶ Opcional: Sostenga la tarjeta de carga de Mercedes-Benz en la zona (3) para finalizar el proceso de carga.
- ▶ Finalice el proceso de carga en el vehículo (vea el manual de instrucciones del vehículo).
- ▶ Pulse el desbloqueo del conector del cable de carga y tire de dicho conector para desenchufarlo de la toma de carga del vehículo.
- ▶ Coloque la tapa protectora en el conector del cable de carga.
- ▶ Enrolle el cable de carga en la wallbox sin apretarlo.

Preste atención a que el conector del cable de carga esté a una distancia mínima de 600 mm (24 in) del suelo.

Significado de la indicación LED



LED blanco	Descripción
Todos los LED parpadean en blanco de izquierda a derecha	La wallbox está arrancando o se está descargando una actualización.
LED (5) parpadea dos veces en blanco	La wallbox debe ser configurada por un electricista.
Todos los LED encendidos en blanco	Se está configurando la wallbox.

LED verde	Descripción
Todos los LED encendidos en verde	La wallbox está operativa.
LED (6) parpadea dos veces en verde	Hay que habilitar la wallbox con la tarjeta de carga de Mercedes-Benz o la Mercedes me App.
Todos los LED parpadean en verde de izquierda a derecha	Habilitación de la wallbox en curso.
LED (7) parpadea dos veces en verde	Conecte el vehículo y la estación de carga con el cable de carga. Asegúrese de que el conector del cable de carga esté enchufado hasta el tope en la caja de enchufe.

LED azul	Descripción
Todos los LED se encienden sucesivamente en azul de izquierda a derecha	Se está cargando el vehículo.

LED azul	Descripción
Todos los LED encendidos en azul	El proceso de carga ha sido interrumpido por el vehículo (vea el manual de instrucciones del vehículo).
LED (4) encendido en azul	El proceso de carga se ha interrumpido por alimentación eléctrica insuficiente. El proceso de carga continúa automáticamente.

LED naranja	Descripción
Todos los LED se encienden sucesivamente en naranja de izquierda a derecha	La potencia de carga se ha reducido debido a la temperatura elevada de la wallbox.
LED (4) encendido en naranja	Proceso de carga interrumpido. El proceso de carga continúa automáticamente.
LED (5) encendido en naranja	Proceso de carga interrumpido. La wallbox se está enfriando. El proceso de carga continúa automáticamente.

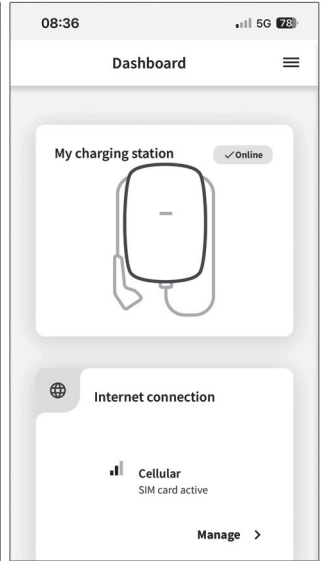
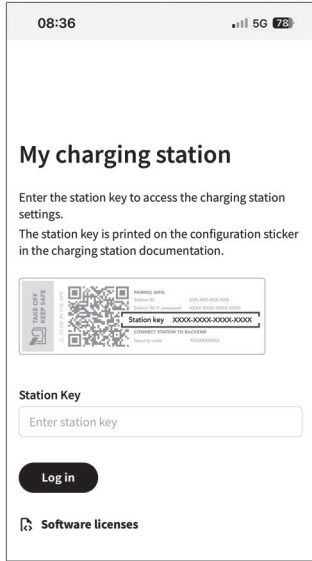
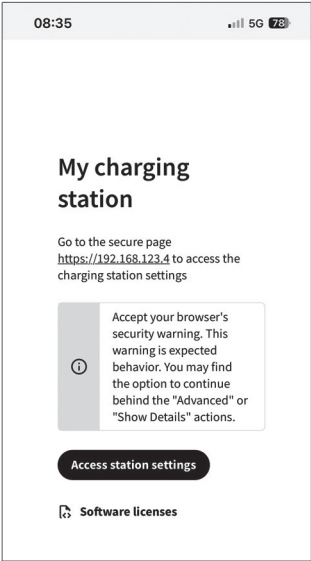
LED rojo	Descripción
LED (5) encendido en rojo	Error durante el proceso de carga. Interrumpa la conexión al vehículo y vuelva a intentarlo.
LED (6) encendido en rojo	Error durante la habilitación. Si el fallo persiste durante más de cinco segundos, no hay comunicación entre la wallbox y los servicios en línea.
LED (7) encendido en rojo	Error durante el proceso de carga. Interrumpa la conexión al vehículo y vuelva a intentarlo. Si vuelve a producirse el error, el vehículo la wallbox no son compatibles.
Todos los LED encendidos en rojo	Si la wallbox se reinicia, por ejemplo, tras una actualización de software, se encienden todos los LED en rojo durante 1-2 minutos. Este proceso es inocuo y se puede ignorar. La iluminación permanente en rojo de los LED indica un fallo en la wallbox. Desconecte inmediatamente la alimentación eléctrica de la wallbox y póngase en contacto con un electricista.

Problemas con la wallbox

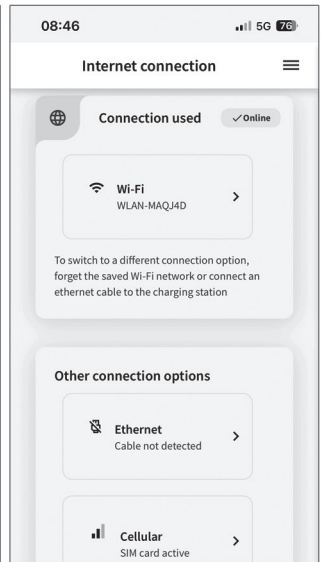
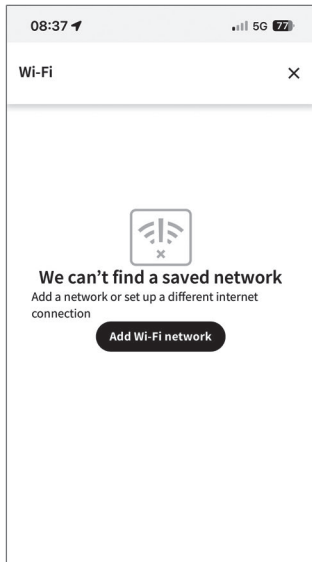
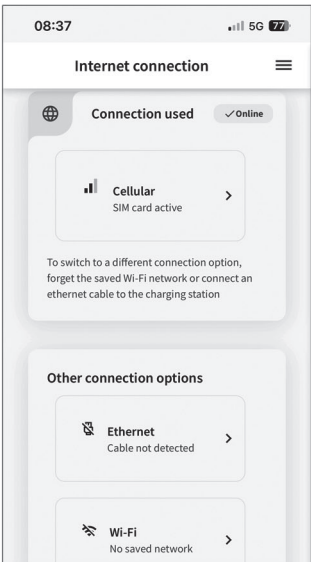
Si se producen fallos de forma repetida durante el uso de la wallbox o si tiene dudas sobre su seguridad funcional, deje de utilizar el sistema de carga y póngase en contacto con:

- Su concesionario Mercedes-Benz
- O bien:
- su servicio posventa Mercedes-Benz local

El IMEI y número del certificado IFT se puede encontrar en la etiqueta ubicada en la parte inferior del dispositivo.



M+P-03F-10218



M+P-03F-10219



03F017-23

Mercedes-Benz part number: A0009063414

Supplier Article number / Numéro de l'article / Número de artículo: L24871NAB0M