



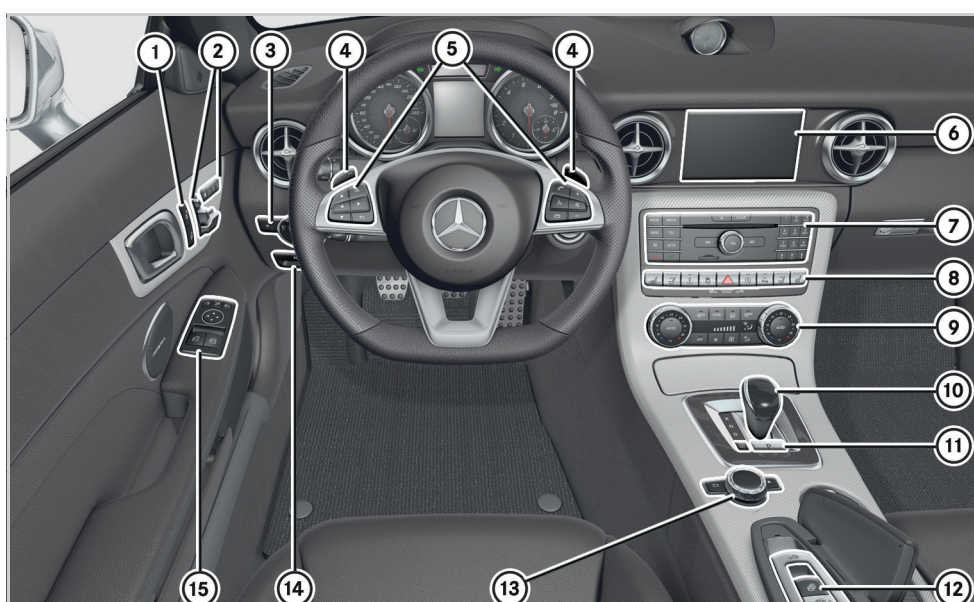
SLC

Brief overview

Mercedes-Benz



Cockpit – overview



- ① **Door handle**
 - Locks the vehicle centrally
 - Unlocks the vehicle centrally
- ② **Seat functions**

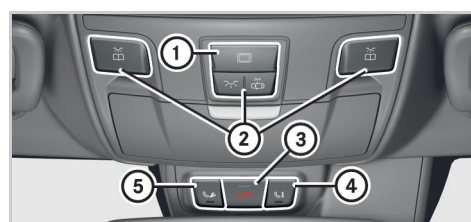
Adjusts the seat electrically

 - Memory function and presets **1 2 3**
- ③ Light switch
- ④ Steering wheel paddle shifters
- ⑤ Multifunction steering wheel buttons

WARNING Make sure that you read the entire Operator's Manual. Otherwise, you may fail to recognize dangers.

Cockpit – overview

- ⑥ Multimedia system display
- ⑦ Multimedia system
- ⑧ **Upper control panel**
 - Seat heater
 - AIRSCARF
 - Selects a DYNAMIC SELECT drive program
 - ESP® OFF
 - Hazard warning lights
 - ECO start/stop function
 - Parking Assist PARKTRONIC
- ⑨ Climate control
- ⑩ Selector lever
- ⑪ **Transmission functions**
 - Park position
 - Manual gearshifting
- ⑫ **Roadster functions**
 - Roof switch
 - Operates all side windows
- ⑬ **Multimedia system controller**
 - Back button
 - Favorites button
- ⑭ Electric parking brake
- ⑮ Door control panel with controls for power windows and exterior mirror settings



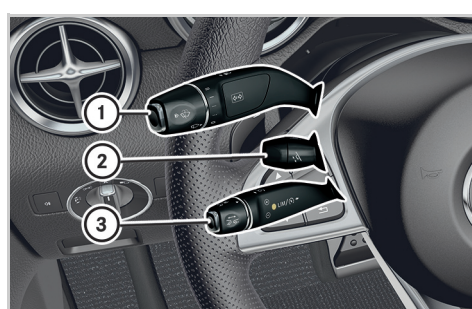
Overhead control panel

- ① MAGIC SKY CONTROL
- ② Buttons for interior lighting and reading light
- ③ Button for MB Info call* (mbrace System)
e.g. for questions on vehicle operation
- ④ SOS button* (mbrace system)
- ⑤ Button for breakdown assistance call* (mbrace System)

* Not available in all countries

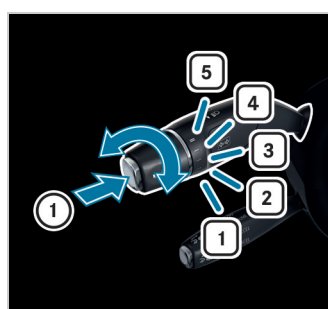
Note that your vehicle may not be equipped with all features described.

Lever on the steering wheel



Overview

- ① Combination switch for turn signals, high-beam headlamps and windshield wipers
- ② Lever for electrical steering column adjustment
- ③ Lever for cruise control/Active Distance Assist DISTRONIC



Combination switch – windshield wiper functions

- ① Single wipe
- Wipes with washer fluid
- 1 Windshield wipers off
- 2 Intermittent wiping, normal
- 3 Intermittent wiping, frequent
- 4 Continuous wiping, slow
- 5 Continuous wiping, fast



Combination switch – lighting functions

- ① High-beam headlamps or Adaptive Highbeam Assist Plus
- ② Turn signal, right
- ③ High-beam flasher
- ④ Turn signal, left

WARNING Make sure that you read the entire Operator's Manual. Otherwise, you may fail to recognize dangers.

Active Distance Assist DISTRONIC



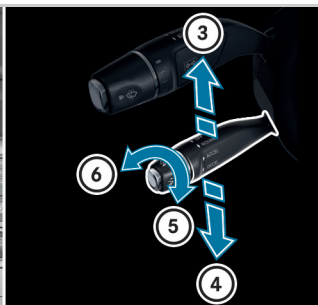
Activating/deactivating

- ① Switches on with the current speed or calls up the last set speed
- ② Deactivates Active Distance Assist DISTRONIC



Changing the speed

- ③ Increases the speed or stores the current speed
- ④ Decreases the speed or stores the current speed
- ⑤ Increases the specified minimum distance
- ⑥ Reduces the specified minimum distance



Active Distance Assist DISTRONIC maintains a constant speed which has been stored. The lowest speed that can be set is 20 mph (30 km/h).

You can change the set speed:

- 1 mph (1 km/h) step:** Briefly press the lever up or down.
- 5 mph (10 km/h) step:** Press the lever up or down past the pressure point.

When Active Distance Pilot DISTRONIC is activated, one or two segments in the set speed range light up in the speedometer.

Using the controller on the DISTRONIC lever, you can change the specified minimum distance to the vehicle in front. The specified minimum distance depends on the currently driven speed.

Note that your vehicle may not be equipped with all features described.

Climate control



Adjusting climate control

You can adjust climate control using the buttons on control panel ①. If you change any settings, the lower edge of display ② briefly shows the current settings of climate control.

Climate control control panel

- Defrosts the windshield
- Sets climate zones separately
- Activates or deactivates the cooling function of climate control.
- Defrosts the rear window
- Reduces the airflow
- Increases the airflow
- Completely activates or deactivates climate control.
- Sets climate control to automatic mode
- Air-recirculation mode
The air in the vehicle interior is recirculated.
In air-recirculation mode, the windows can fog up more quickly.
- Residual heat with the engine off
- Sets the air distribution

General notes

Climate control regulates the temperature and the humidity in the vehicle interior and filters undesirable substances out of the air.

Climate control is only operational when the engine is running. Optimum operation is only achieved when the side windows and the roof are closed.

To prevent the windows from fogging up, please observe the following information:

- Switches off climate control only briefly
- Switch on air-recirculation mode only briefly
- Switch on the cooling function.
In warm weather, the air inside the vehicle will be cooled. This function also dries the air inside the vehicle.
- If necessary, briefly switch on the windshield defroster





Operating the menu of the on-board computer

- ① ▲ Scrolls through lists
▼ Selects a submenu or function
- ② ◀ Calls up the menu and menu bar
▶
- ③ OK Confirms the selected entry
- ④ ↶ Back button

Telephone/media functions

- ⑤ ☎ Accepts a telephone call
- ⑥ ☎ Rejects a telephone call
Ends a call
- ⑦ + Increases the volume
- ⑧ - Decreases the volume
- ⑨ 🔇 Mute function

⚠ **WARNING** Make sure that you read the entire Operator's Manual. Otherwise, you may fail to recognize dangers.

Voice Control System

Starting a dialog

The Voice Control System allows you to comfortably operate the majority of the multimedia system's functions.

▶ **To say a command:** Press the button and say a command after the audible signal.

Voice Control System help functions

- **General information:**
Say the "Help Voice Control System" command.
- **Help for the current function:**
Say the "Help" command.
- **Help for a specific system:**
Say the help command for the desired system, e.g. "Help telephone".

If you press the button, the possible commands are shown in a help window. You can switch off the display of this help window in the multimedia system.

Examples

Navigation commands

- "Enter destination"
A dialog for entering a destination in the navigation system will be started. Thereafter, say the destination address.
- "Nearest gas station"
Many more categories for points of interest are available, e.g. restaurant or tourist attraction.
- "Navigate to John Doe"
Start route guidance to a contact from your address book.

Telephone commands

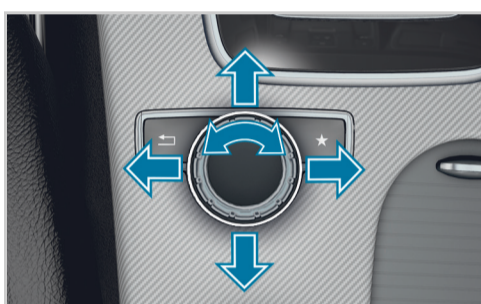
- "Call John Doe"
The telephone number of a stored contact is dialed.
- "New message"
A dialog for entering a text message (SMS) will be started.

Audio commands

- "Station Z100"
If you are listening to the radio, you can say the name of a station to which you would like to listen.
- "Search for music"
A dialog in which you can search through your music files will be started.

Note that your vehicle may not be equipped with all features described.

Overview of the multimedia system



You can operate the menus of the multimedia system using the controller.

▶ **Controller:** Turn or slide in the direction of the desired entry.

▶ Confirm your choice by pressing the controller.



- ◀ Back button
Press and hold: Switches to the basic menu
- ★ Calls up or changes favorites



Direct buttons for the multimedia system

- RADIO Radio menu
- NAVI Navigation menu
- MEDIA Media menu
- TEL Telephone menu
- Vehicle/system settings menu

⚠ **WARNING** Make sure that you read the entire Operator's Manual. Otherwise, you may fail to recognize dangers.

Operating the multimedia system



Example image: COMAND

Creating favorites

- ① Adds a new favorite
- ② Renames a selected favorite
- ③ Moves a selected favorite
- ④ Deletes a selected favorite

For rapid access to functions which are called up frequently, you can create up to 20 favorites.

Adding a predefined favorite

- ▶ Press the button.
The favorites are displayed.
- ▶ Slide the controller down.
The menu bar is shown.
- ▶ Select **Reassign** and use the controller to select a category.
- ▶ Select a favorite and store it in the desired position.

Adding your own favorite

You can create your own favorites, e.g. telephone numbers or navigation destinations.

Example for a telephone number:

- ▶ Press the **TEL** button and select **Name** in the Telephone menu.
- ▶ Select a contact and display the telephone number.
- ▶ Press and hold the button until the favorites are displayed.
- ▶ Add a favorite at the desired position.

Note that your vehicle may not be equipped with all features described.

Quickly storing radio stations

If you are listening to the radio and the **Radio** menu is shown in the multimedia system:

- ▶ Press and hold the controller until the station list is shown.
- ▶ Select the desired preset in the station list and confirm.
A tone confirms the save.

Establishing a Bluetooth® connection



Example image: COMAND

Requirement

- Bluetooth® is switched on on the mobile phone (see the manufacturer's operator's manual).
- Bluetooth® is switched on on the multimedia system.

Searching for a mobile phone

- ▶ Press the **TEL** button on the center console.
- ▶ Select **Conn. Device** ①.
- ▶ **Audio 20:** Select **Connect New Device**.
- ▶ Select **Connect via Vehicle**.
- ▶ Select the desired mobile phone.
- ▶ If possible, select the intended usage of the mobile phone (main or secondary phone).
- ▶ **COMAND:** Select **Search for Phones**.
- ▶ Select **Start Search**.
- ▶ Select the desired mobile phone.

If your mobile phone is not found, try searching on the mobile phone itself.

Authorizing a mobile phone

- ▶ A code is displayed in the multimedia system and on the mobile phone.
- ▶ **If the codes match:** If necessary, confirm in the multimedia system with **Yes**.
- ▶ Confirm the code on the mobile phone.

Further information

Detailed information on Bluetooth® connections with your mobile phone can be found at:

www.mercedes-benz.com/connect



⚠ **WARNING** Make sure that you read the entire Operator's Manual. Otherwise, you may fail to recognize dangers.

Further information on your vehicle



Connecting external media sources

- ① SD slot
- ② USB ports

The USB connection for Apple CarPlay™ and Android Auto™ is marked with the symbol.

Further information

You can find further information on your vehicle at:

<http://www.mbusa.com>

If you have any questions, you can optionally also press the button in the overhead control panel.



How-to videos



Operator's Manuals

Note that your vehicle may not be equipped with all features described.