



1905847005

Order no. P190 0501 13 Part no. 190 584 70 05
Edition A 2020



Mercedes-AMG GT R PRO

Supplement

Mercedes-Benz



Publication details

Internet

Further information about Mercedes-Benz vehicles and about Daimler AG can be found on the following websites:

<http://www.mbusa.com> (USA only)

<http://www.mercedes-benz.ca> (Canada only)

Documentation team

©Daimler AG: not to be reprinted, translated or otherwise reproduced, in whole or in part, without written permission from Daimler AG.

Vehicle manufacturer

Daimler AG

Mercedesstrasse 137

70327 Stuttgart

Germany

As at 17.05.2018

Welcome to the world of Mercedes-AMG

Before you first drive off, read this Operator's Manual carefully and familiarize yourself with your vehicle. For your own safety and a longer operating lifespan of the vehicle, follow the instructions and warning notices in this Operator's Manual. Disregarding them may lead to damage to the vehicle or injury to people.

Damage to the vehicle resulting from the disregard of the instructions is not covered by the Mercedes-Benz Limited Warranty.

The equipment or model designation of your vehicle may vary according to:

- Model
- Order
- National version
- Availability

Mercedes-AMG reserves the right to introduce changes in the following areas:

- Design
- Equipment
- Technical features

The equipment in your vehicle may therefore differ from that shown in the descriptions and illustrations.

The following are integral parts of the vehicle:

- Digital Operator's Manual
- Printed Operator's Manual
- Maintenance booklet
- Equipment-dependent supplements

Keep these documents in the vehicle at all times. If you sell the vehicle, always pass all of the documents on to the new owner.

Mercedes-Benz USA, LLC

Mercedes-Benz Canada, Inc.

A Daimler Company

1905847005



2 Contents

Symbols 3

General notes 4

Operator's Manual	4
Operating safety	4
Qualified specialist workshop	5
Correct use of the vehicle	5
Limited Warranty	6

Coil-over suspension 7

Notes on the coil-over suspension	7
Adjusting the shock absorbers	7
Notes on adjusting the wheel load	10
Notes on adjusting the anti-roll characteristics	10

Cleaning and care 11

Notes on washing the vehicle in a car wash	11
--	----

Index 12

In this Operator's Manual, you will find the following symbols:

⚠ DANGER Danger due to not observing the warning notices

Warning notices draw your attention to hazards that may endanger your health or life, or the health or life of others.

▶ Observe the warning notices.

🌿 ENVIRONMENTAL NOTE Environmental damage due to failure to observe environmental notes

Environmental notes include information on environmentally responsible behavior or environmentally responsible disposal.

▶ Observe environmental notes.

! NOTE Damage to property due to failure to observe notes on material damage

Notes on material damage inform you of risks which may lead to your vehicle being damaged.

▶ Observe notes on material damage.

ⓘ Useful instructions or further information that could be helpful to you.

▶ Instruction

(→ page) Further information on a topic

Display Information on the multifunction display/media display

↪ Highest menu level, which is to be selected in the multimedia system

▶▶ Corresponding submenus, which are to be selected in the multimedia system

* Marks a cause

Operator's Manual

This Operator's Manual describes all models and all standard and optional equipment available for your vehicle at the time of this Operator's Manual going to press. Country-specific differences are possible. Note that your vehicle may not be equipped with all features described. This is also the case for systems and functions relevant to safety. Therefore, the equipment on your vehicle may differ from that in the descriptions and illustrations.

The original purchase agreement for your vehicle contains a list of all of the systems in your vehicle.

Should you have any questions concerning equipment and operation, please consult an authorized Mercedes-Benz Center.

The Supplement, the Operator's Manual and the Maintenance Booklet are important documents and should be kept in the vehicle.

Operating safety

⚠ WARNING Risk of accident due to malfunctions or system failures

If you do not have the prescribed service/maintenance work or any required repairs carried out, this could result in malfunctions or system failures.

- ▶ Always have the prescribed service/maintenance work as well as any required repairs carried out at a qualified specialist workshop.

⚠ WARNING Risk of fire due to flammable materials on hot parts of the exhaust system

Flammable material such as leaves, grass or twigs may ignite if they come into contact with hot parts of the exhaust system.

- ▶ When driving on unpaved roads or off-road, regularly check the vehicle underside.

- ▶ Remove trapped plants or other flammable material.
- ▶ If there is damage, consult a qualified specialist workshop immediately.

⚠ WARNING Risk of accident and injury as a result of incorrect modifications to electronic component parts

Modification to electronic components, their software or wiring could impair their function and/or the function of other networked component parts. In particular, systems relevant to safety could also be affected.

As a result, they may no longer function as intended and/or endanger the operating safety of the vehicle.

- ▶ Never tamper with the wiring and electronic component parts or their software.
- ▶ You should have all work on electrical and electronic components carried out at a qualified specialist workshop.

If you modify the on-board electronics, the general operating permit is rendered invalid.

! NOTE Damage to the vehicle

In the following situations, in particular, there is a risk of damage to the vehicle:

- The vehicle becomes grounded, e.g. on a high curb or an unpaved road
- The vehicle is driven too fast over an obstacle, e.g. a curb, speed bump or pot-hole
- A heavy object strikes the underbody or chassis components

In situations such as this, the body, the underbody, chassis components, wheels or tires could be damaged without the damage being visible. Components damaged in this way can unexpectedly fail or, in the case of an accident, may not absorb the loads that arise as intended.

If the underbody paneling is damaged, flammable materials such as leaves, grass or twigs can collect between the underbody and

the underbody paneling. These materials may ignite if they come into contact with hot parts on the exhaust system.

- ▶ Have the vehicle checked and repaired immediately at a qualified specialist workshop.

or

- ▶ If driving safety is impaired while continuing your journey, pull over and stop the vehicle immediately in accordance with the traffic conditions, and contact a qualified specialist workshop.

Qualified specialist workshop

An authorized Mercedes-Benz Center is a qualified specialist workshop. It has the necessary special skills, tools and qualifications to correctly carry out the work required on your vehicle. This particularly applies to safety-relevant works.

For the following, always have your vehicle checked at an authorized Mercedes-Benz Center:

- safety-relevant works
- service and maintenance work
- repair work
- modifications as well as installations and conversions
- work on electronic components

Mercedes-AMG recommends a Mercedes-Benz service center.

Correct use of the vehicle

If you remove any warning stickers, you or others could fail to recognize certain dangers. Leave warning stickers in position.

Observe the following information in particular when driving your vehicle:

- The safety notes in this manual and the vehicle Operator's Manual
- Technical data for the vehicle

6 General notes

- Traffic rules and regulations
- Laws and safety standards pertaining to motor vehicles
- Vehicle Operator's Manual

Limited Warranty

! **NOTE** Damage to the vehicle arising from violation of these operating instructions.

Damage to the vehicle can arise from violation of these operating instructions.

This damage is not covered either by the Mercedes-Benz implied warranty or by the New- or Used-Vehicle Warranty.

- ▶ Follow the instructions in these operating instructions on proper operation of your vehicle as well as on possible vehicle damage.

Notes on the coil-over suspension

- ⓘ This supplement replaces the "AMG adaptive sport suspension system" topic in the vehicle Operator's Manual.

The vehicle is equipped with a coil-over suspension specially developed by AMG.

The basic factory setting of the suspension provides a well-balanced compromise between ride comfort and performance in racetrack mode and has been optimized for the Nürburgring north loop race track.

You can adjust the coil-over suspension for use on the race track to suit your requirements or to the corresponding track profile.

You can carry out the following settings to the shock absorbers separately for the front or rear axle yourself:

- Rebound phase (→ page 8)
- Low-speed compression phase (→ page 9)
- High-speed compression phase (→ page 9)

You can also have the following settings carried out at a qualified specialist workshop:

- Wheel load (→ page 10)
- Anti-roll characteristics (→ page 10)

Adjusting the shock absorbers

Notes on adjusting the shock absorbers

The shock absorbers are adjusted by turning the corresponding controller in increments of one click.

Direction	Effect
Counter-clockwise	<ul style="list-style-type: none"> • Softer setting • Less control over the body • Greater ride comfort
Clockwise	<ul style="list-style-type: none"> • Harder setting • Greater control over the body • Less grip, depending on the track conditions

- ⓘ Only the basic setting of the shock absorbers may be used when driving on normal roads (→ page 7). A modified setting may only be used when you are not driving on public roads.

⚠ WARNING Risk of an accident due to modified shock absorbers settings

Changing the shock absorber settings changes the handling characteristics.

- ▶ Adjust the shock absorbers in small increments.
- ▶ Always adjust the left and right shock absorbers so that they have identical values.
- ▶ Test the modified driving characteristics and vehicle reactions at a reduced vehicle speed.

Restoring the basic setting

- ▶ Turn the respective controller clockwise to the stop and then turn it counter-clockwise to the basic setting.

8 Coil-over suspension

Basic setting of the front axle:

- Rebound phase: 6 clicks open
- Low-speed compression phase: 6 clicks open
- High-speed compression phase: 6 clicks open

Basic setting of the rear axle:

- Rebound phase: 6 clicks open
- Low-speed compression phase: 8 clicks open
- High-speed compression phase: 8 clicks open

i The number of open clicks describes the number of notches counter-clockwise from the stop.

Adjusting the rebound phase

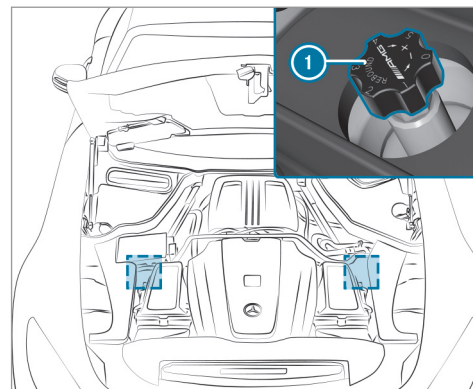
Adjusting the rebound phase changes the rebound characteristics of the shock absorbers.

! **NOTE** Damage to the shock absorbers when adjusting the rebound phase

▶ Do not exceed the specified adjustment range.

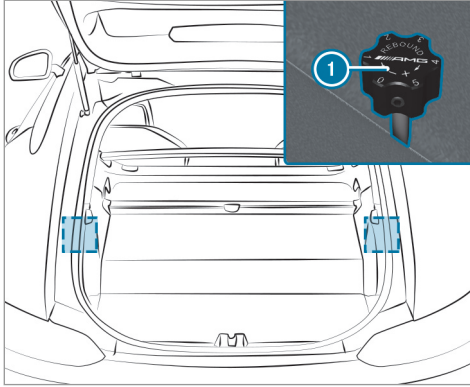
Adjustment range on the front and rear axle shock absorbers:

- Rebound phase: 1 - 16 clicks



Front axle

▶ Turn controller **1** in the desired direction.



Rear axle

- ▶ Turn controller ❶ in the desired direction.

Adjusting the compression phase

Adjusting the compression phase changes the compression characteristics of the shock absorbers.

Low-speed compression phase:

- slow compression speed
- modified damper response

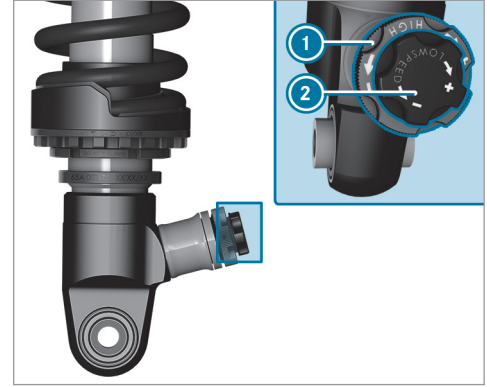
High-speed compression phase:

- fast compression speed
- modified handling characteristics when crossing large obstacles, such as curbs

- ❗ **NOTE** Damage to the shock absorbers when adjusting the compression phase
- ▶ Do not exceed the specified adjustment range.

Adjustment range on the front and rear axle shock absorbers:

- Low-speed compression phase: 1 - 12 clicks
- High-speed compression phase: 1 - 15 clicks



- ▶ **To set the low-speed compression phase:** turn controller ❷ in the desired direction.
- ▶ **To set the high-speed compression phase:** turn controller ❶ in the desired direction.

Notes on adjusting the wheel load

You can have the wheel load distribution on the front or rear axle adjusted to suit your requirements or to the corresponding track profile at a qualified specialist workshop.

- ① Only the basic setting may be used for the vehicle level and wheel load when driving on normal roads. A modified setting may only be used when you are not driving on public roads.

⚠ WARNING Risk of an accident when the vehicle level is changed

Changing the vehicle level changes the suspension geometry and therefore the handling characteristics.

This could cause you to lose control of the vehicle.

- ▶ Have suspension tuning performed at a qualified specialist workshop.

⚠ WARNING Risk of an accident due to an adjusted limiting ring

If you adjust the limiting ring, it could come into contact with adjacent component parts or the tire.

This could cause damage to the adjacent component parts or the tire.

- ▶ Never adjust the limiting ring.

Notes on adjusting the anti-roll characteristics

You can have the torsion bar effect on the front or rear axle adjusted to suit your requirements or to the corresponding track profile and weather conditions at a qualified specialist workshop.

- ① The anti-roll characteristics may only be used in the position set at the factory when driving on normal roads. A modified setting may only be used when you are not driving on public roads.

⚠ WARNING Risk of an accident due to modified anti-roll characteristics

Changing the connection of the torsion bars changes the anti-roll characteristics and therefore the handling characteristics.

This could cause you to lose control of the vehicle.

- ▶ Have suspension tuning performed at a qualified specialist workshop.
- ▶ Test the modified driving characteristics and vehicle reactions at a reduced vehicle speed.

Notes on washing the vehicle in a car wash

! **NOTE** Damage to the decorative elements on the bumpers if a car wash is used

- ▶ Do not use a car wash to wash the vehicle.
- ▶ Wash the vehicle by hand only.

Observe the notes on "Washing the vehicle by hand" in the vehicle Operator's Manual.

- A**
- Adjusting the anti-roll characteristics** 10
 - Adjusting the compression phase** 9
 - Adjusting the rebound phase** 8
 - Adjusting the wheel load** 10
 - Authorized Mercedes-Benz Center**
see Qualified specialist workshop
 - Authorized workshop**
see Qualified specialist workshop
- C**
- Car wash (care)** 11
 - Care**
Automatic car wash 11
 - Coil-over suspension** 7
 - Adjusting the anti-roll characteristics 10
 - Adjusting the compression phase 9
 - Adjusting the rebound phase 8
 - Adjusting the wheel load 10
 - Notes 7
 - Restoring the basic setting (compression phase and rebound phase) 7
- D**
- Dampers**
see Shock absorbers
 - Dealership**
see Qualified specialist workshop
- F**
- Factory setting**
see Restoring the basic setting
- H**
- High-speed**
see Adjusting the compression phase
- L**
- Limited Warranty**
Vehicle 6
 - Low-speed**
see Adjusting the compression phase
- O**
- Operating safety**
Information 4
 - Operator's Manual**
Vehicle equipment 4
- Q**
- Qualified specialist workshop** 5
- R**
- Restoring the basic setting** 7
 - Compression phase 7
 - Rebound phase 7
- S**
- Service center**
see Qualified specialist workshop
 - Shock absorbers** 7
 - Adjusting the compression phase 9
 - Adjusting the rebound phase 8
 - Notes 7
 - Restoring the basic setting 7
 - Specialist workshop** 5
 - Suspension**
see Coil-over suspension

V**Vehicle**

Correct use	5
Equipment	4
Limited Warranty	6
Qualified specialist workshop	5

W

Warranty	6
-----------------------	---

Workshop

see Qualified specialist workshop





